



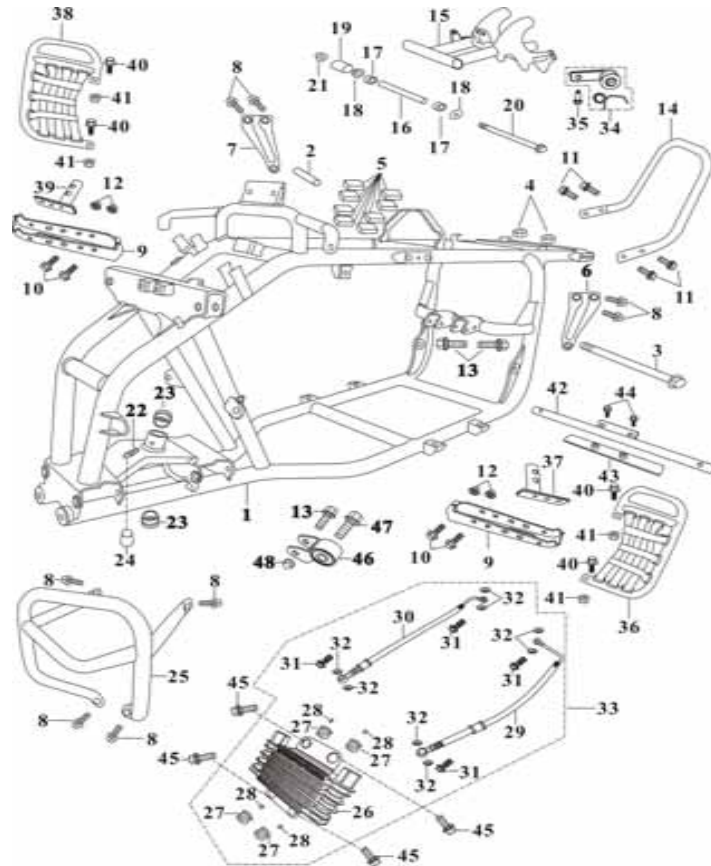
UNISON

ILLUSTRATED PARTS LIST

DESERT CAT 150 & BLACK WIDOW 150

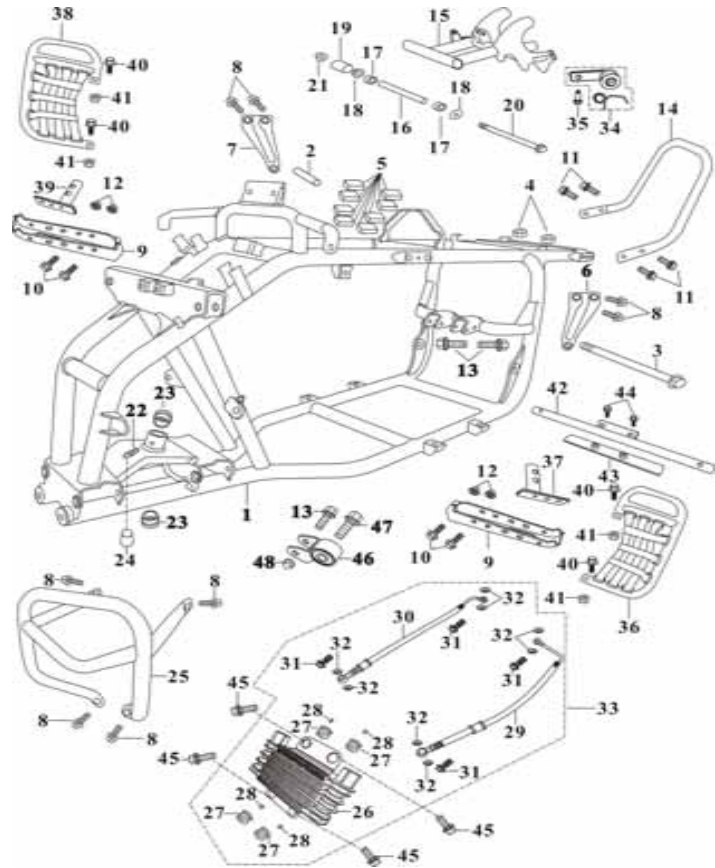
MODELS 2004 AND UP (VER.A)

150cc SERIES

F1**FRAME BODY****BW150**

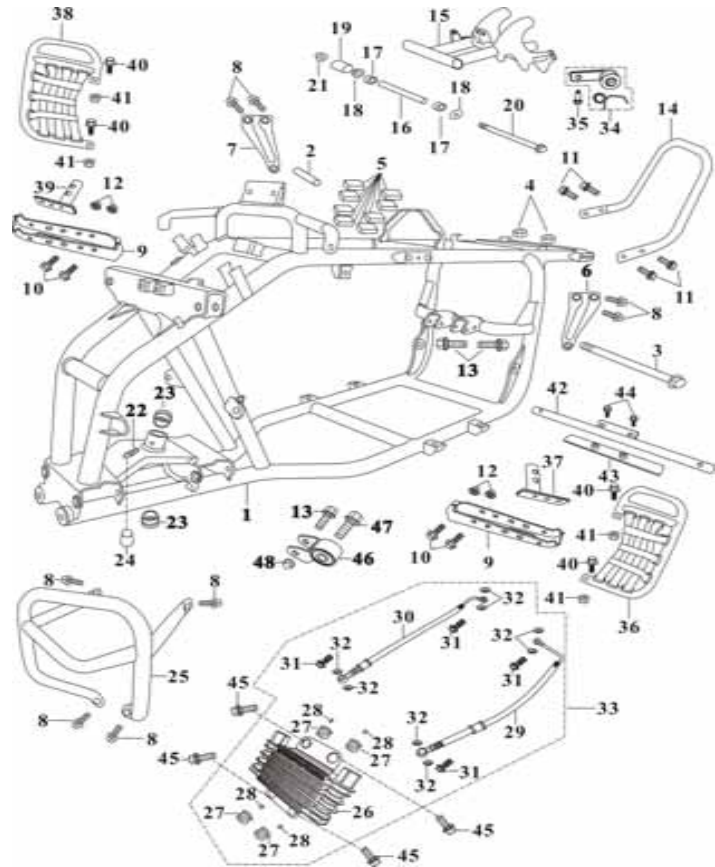
ITEM	UNISON NO.	PARTS NO.	DESCRIPTION	QTY
1	14021501	A4A-51110-00-00	FRAME COMP.	1
2	14000033	A4A-58644-00-00	CORE TUBE 15X10X124	1
3	14000034	A4A-53511-00-00	FLANGE BOLT 10X198	1
4	14000024	A1A-52146-00-00	RUBBER	2
5	14000023	A1A-52156-00-00	DAMPER,1	8
6	14021503	A4A-52142-00-00	E/G HANGER BRKT,1	1
7	14021504	A4A-52143-00-00	E/G HANGER BRKT,2	1
8	14000016	95800-08014-02	FLANGE BOLT 8X14	14
9	14000021	A4A-59510-00-00	SAWTOOTH PEDAL	2
10	14000006	95701-08036-02	HEX. FLANGE BOLT 8X36	4
11	14000019	95800-08016-02	FLANGE BOLT 8X16	8
12	14000020	94051-08000-03	FLANGE NUT 8MM	6
13	14000006	95701-08036-02	HEX. FLANGE BOLT 8X36	4
14	14021506	A4A-52155-00-00	REAR ARMRESTS	1
15	14021507	A4A-581110-00-00	REAR FORK COMP.	1
16	14000007	A1A-58151-00-00	REAR FORK SPACER SLEEVE	1
17	14000005	A1A-58155-00-00	BUSHING CONTAIN OIL	2



F1**FRAME BODY****BW150**

ITEM	UNISON NO.	PARTS NO.	DESCRIPTION	QTY
18	14000004	A1A-58165-00-00	REAR FORK SEAL COVER	2
19	14000003	A1A-58175-00-00	RUBBER SLEEVE	1
20	14000008	A1A-58161-00-00	REAR FORK SET BOLT	1
21	12000001	94061-14000-01	FLANGE U NUT 14MM	2
22	25000011	A1A-57367-00-00	GREASE VALVE	6
23	14021509	A4A-52197-00-00	HOLDER SEAT	2
24	25000005	A1A-57368-00-00	GREASE VALVE CAP	2
25	14021511	A4A-52151-00-00	FRONT FENDER ROD	1
26	14021526	M5A-16551-00-00	OIL COOLER	1
27	14000044	A1A-52158-00-00	DAMPER,3	4
28	14021528	M5A-16567-00-00	COLLAR	4
29	14021515	M5A-16561-00-11	OIL HOSE,1	1
30	14021516	M5A-16562-00-10	OIL HOSE,2	1
31	14021517	M5A-16566-00-00	BOLT FLANGE	4
32	14021518	94101-12204-40	WASHER 12X20X1.5	8
33	14021519	M5A-16550-00-00	OIL COOLER ASSY	1
34	14000057	A4A-26970-00-00	CHAIN TENSIONER ASSY.	1



F1**FRAME BODY****BW150**

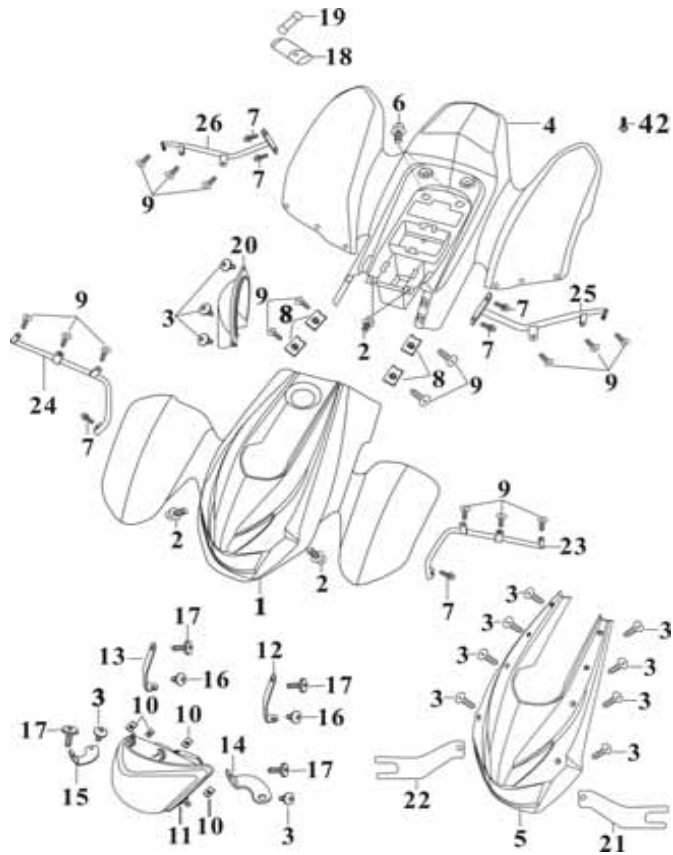
ITEM	UNISON NO.	PARTS NO.	DESCRIPTION	QTY
35	14000045	A4A-26973-00-00	CHAIN TENSIONER BOLT	1
36	14021536	A7A-59550-00-01	NERF BAR ASSY.1	1
37	14000038	A7A-59552-00-00	NERF BAR BRACKET,1	1
38	14021538	A7A-59560-00-01	NERF BAR ASSY.2	1
39	14000039	A7A-59562-00-00	NERF BAR BRACKET 2	1
40	14032541	95801-10048-03	FLANGE BOLT 10X48	4
41	17000001	94061-10000-03	FLANGE U NUT 10MM	11
42	14021522	A4A-59507-00-00	NERF BAR CONNECTING ROD	1
43	14021523	A4A-59508-00-00	THE CONNECTION OF NERF BAR	1
44	14000036	95800-10040-03	FLANGE BOLT 10X40	2
45	14000058	95800-06016-02	FLANGE BOLT 6X16	4
46	14021546	A4A-52172-00-00	DOWNWARD ENGINE HANGER	1
47	14000037	95800-08040-02	FLANGE BOLT 8X40	1
48	14000020	94051-08000-03	FLANGE NUT 8MM	6

**UNISON MOTORS**

F2

SIDE COVER

BW150



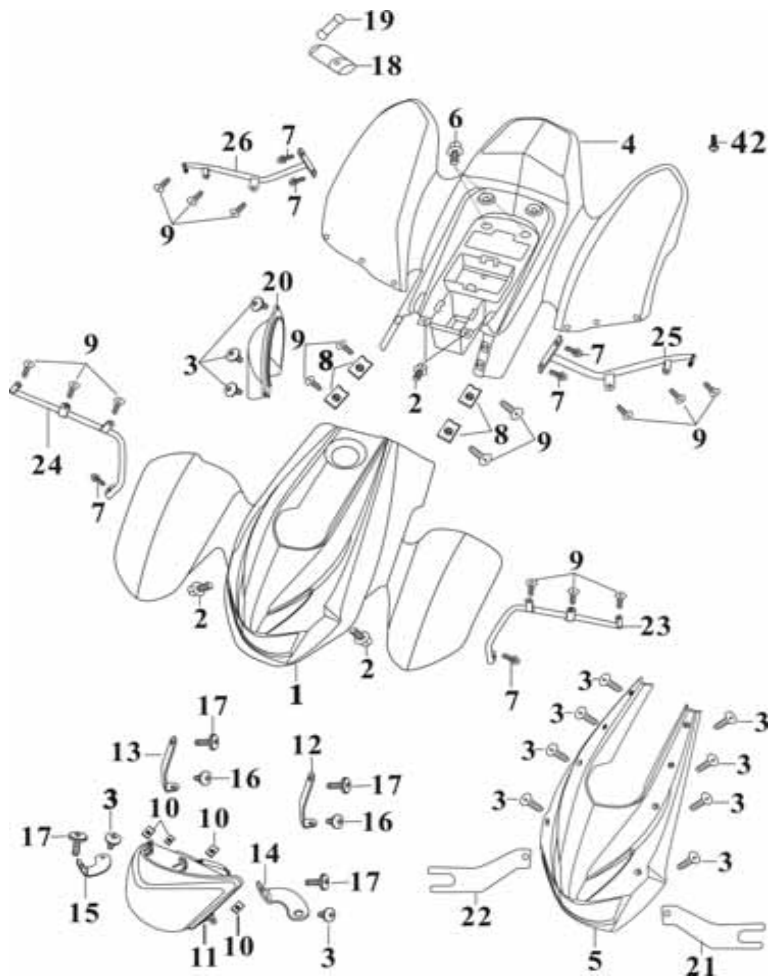
ITEM	UNISON NO.	PARTS NO.	DESCRIPTION	QTY
1	15021501	A4A-73511-00-00	FRONT COVER	1
2	15000013	93404-06016-03	BOLT W/WASHER 6X16	6
3	15021502	93900-05016-04	TAPPING SCREW 5X16	10
4	15021503	A4A-73521-00-00	REAR COVER	1
5	15032511	A5A-73515-00-00	HEAD COVER	1
6	15000013	93404-06016-03	BOLT W/ WASHER 6X16	2
7	14000016	95800-08014-02	FLANGE BOLT 8X14	14
8	15000007	A1A-73518-00-00	CLIP NUT 6MM	16
9	15000006	93530-06018-02	PAN HEAD SCREW 6X18	40
10	15000016	A1A-73519-00-00	CLIP NUT 5MM	4
11	15021505	A5A-35100-00-00	HEAD LIGHT ASSY.	1
12	15021506	A5A-35196-00-00	HEAD LIGHT STAY,1	1
13	15021507	A5A-35197-00-00	HEAD LIGHT STAY,2	1
14	15021508	A5A-35198-00-00	HEAD LIGHT STAY,3	1
15	15021509	A5A-35199-00-00	HEAD LIGHT STAY,4	1



F2

SIDE COVER

BW150



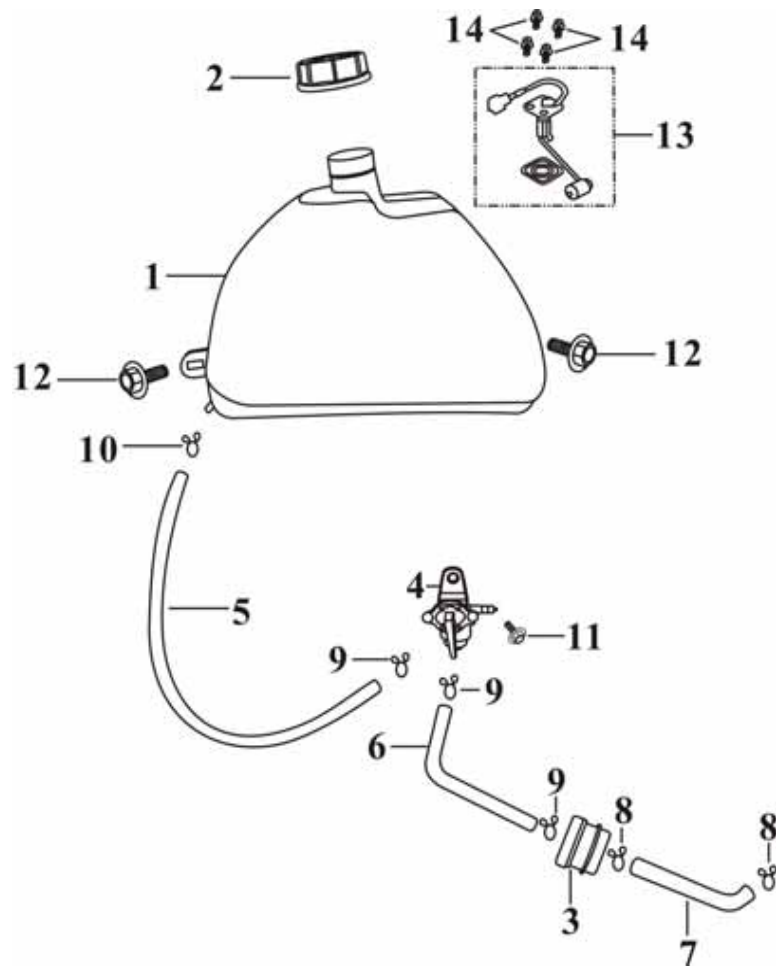
ITEM	UNISON NO.	PARTS NO.	DESCRIPTION	QTY
16	15021510	93900-05012-04	TAPPING SCREW 5X12	2
17	15021511	93502-05010-02	PAN HEAD W/S 5X10	4
18	15021518	A4A-81110-00-00	TOOL KIT	1
19	27000017	A1A-81113-00-00	RUBBER	1
20	15021513	M4A-17164-00-00	SHROUD	1
21	15032521	A5A-73596-00-10	BRACKET,1	1
22	15032522	A5A-73597-00-10	BRACKET,2	1
23	15032534	A4A-52121-00-10	FRONT COVER STABLE BRACKET,1	1
24	15032535	A4A-52122-00-10	FRONT COVER STABLE BRACKET,2	1
25	15032536	A4A-52123-00-10	REAR COVER STABLE BRACKET,1	1
26	15032537	A4A-52124-00-10	REAR COVER STABLE BRACKET,2	1
	15021591	N/A	BLACK WIDOW 150 PLASTIC SET	



F3

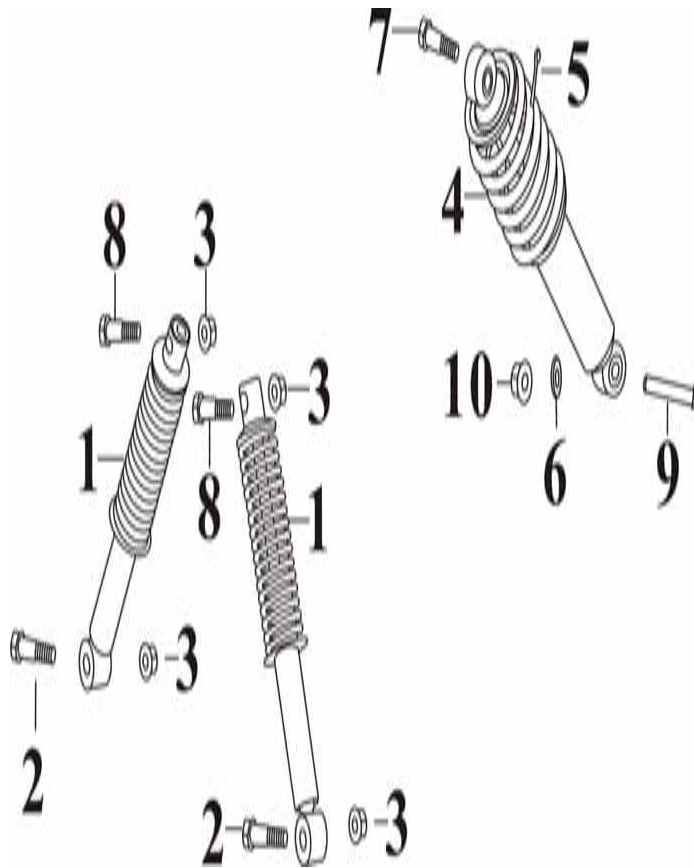
OIL TANK / FUEL TANK

BW150



ITEM	UNISON NO.	PARTS NO.	DESCRIPTION	QTY
1	16000021	A4A-62110-00-00	FUEL TANK COMP.	1
2	16000022	A4A-62210-00-00	FUEL TANK CAP	1
3	16000014	A1A-62410-00-00	FUEL FILTER ASSY.	1
4	16000023	A1B-62310-00-00	FUEL COCK ASSY.	1
5	16000019	A4A-62371-00-00	FUEL HOSE,1	2
6	16000020	A4A-62372-00-00	FUEL HOSE,2	1
7	16000015	A4A-62373-00-00	FUEL HOSE,3	1
8	16000016	94201-08085-00	CLIP	2
9	16000017	94201-12095-00	CLIP	5
10	16000018	94204-08110-00	CLIP	2
11	25000010	95800-06012-04	FLANGE BOLT 6X12	5
12	15000008	93404-06020-03	BOLT W/ WASHER 6X20	6
13	16000024	A4A-62510-00-00	SENDER UNIT ASSY.	1
14	16000025	93891-05014-04	BOLT W/WASHER 5X14	4



F4**SUSPENSION****BW150**

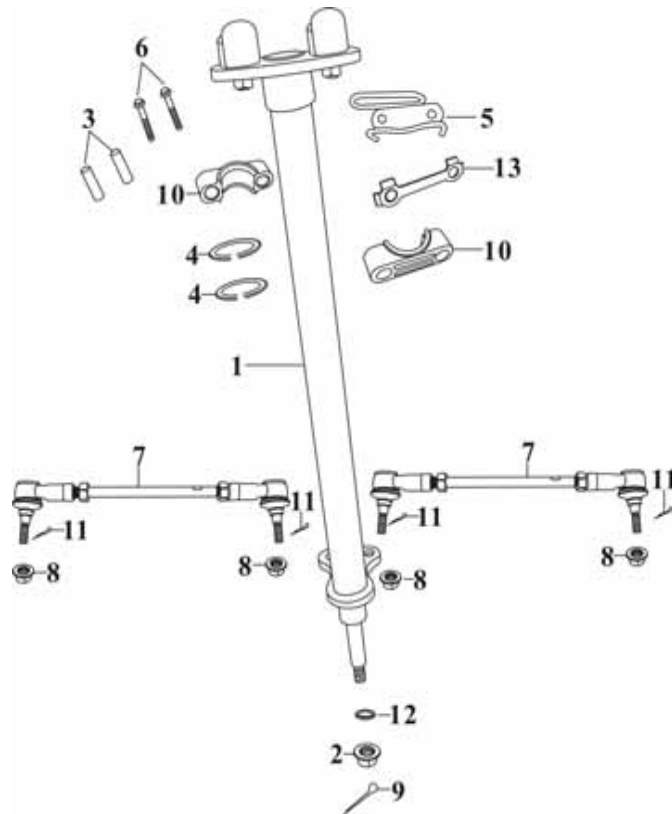
ITEM	UNISON NO.	PARTS NO.	DESCRIPTION	QTY
1	17021591	A4A-57210-00-01	FR. SHOCK ABSORBER ASSY.	2
2	17000003	95801-10054-03	FLANGE BOLT 10X54	2
3	17000001	94061-10000-03	FLANGE U NUT 10MM	11
4	17021501	A4A-58210-00-00	RR. SHOCK ABSORBER ASSY.	1
5	44000005	94251-12221-00	SPLIT PIN 1.2X22	2
6	17000004	94101-12246-20	PLATE WASHER 12MM	1
7	17000094	95827-10040-04	BOLT W/HOLE 10X40	1
8	17000011	95802-10045-03	FLANGE BOLT 10X45	2
9	17000005	95802-12078-03	FLANGE BOLT 12X78	1
10	14000012	94061-12000-03	FLANGE U NUT 12MM	1



F5

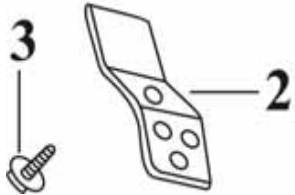
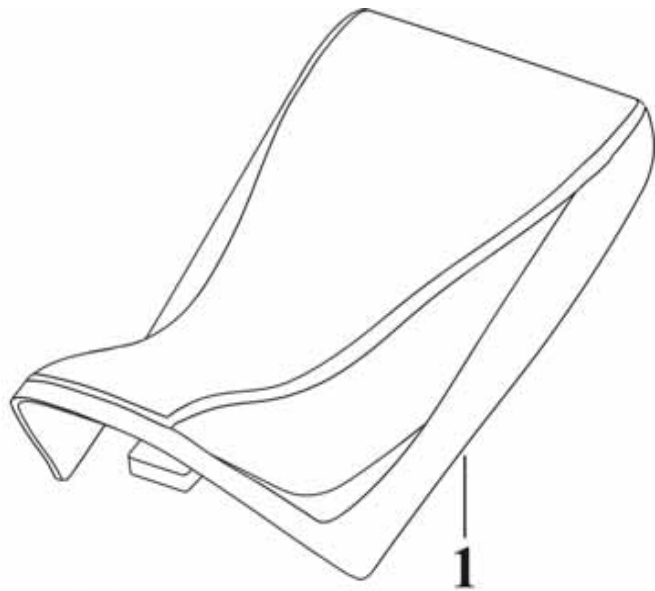
STEERING

BW150



ITEM	UNISON NO.	PARTS NO.	DESCRIPTION	QTY
1	18021501	A4A-72140-00-00	SHAFT STEERING	1
2	12000001	94061-14000-01	FLANGE U NUT 14MM	2
3	18000016	A4A-72141-00-00	HOLDER COLLAR	2
4	18000017	A4A-72167-00-00	DUST SEAL	2
5	18000024	A4A-72156-00-00	BRAKE CABLE SEAT	1
6	18000018	92000-08060-01	HEX. BOLT 8X60	2
7	18021503	A4A-72143-00-00	STEERING TIE ROD ASSY,1	2
8	17000001	94061-10000-03	FLANGE U NUT 10MM	11
9	18000019	94201-30550-03	SPLIT PIN 3.0X55	1
10	18000020	A4A-72146-00-00	HOLDER,STEERING SHAFT	2
11	44000005	94251-12221-00	SPLIT PIN 1.2X22	2
12	10000002	94101-10185-27	PLATE WASHER 10MM	2
13	18021506	94101-72157-00-00	TOUNGED WASHER	1



F6**SEAT ASSY.****BW150**

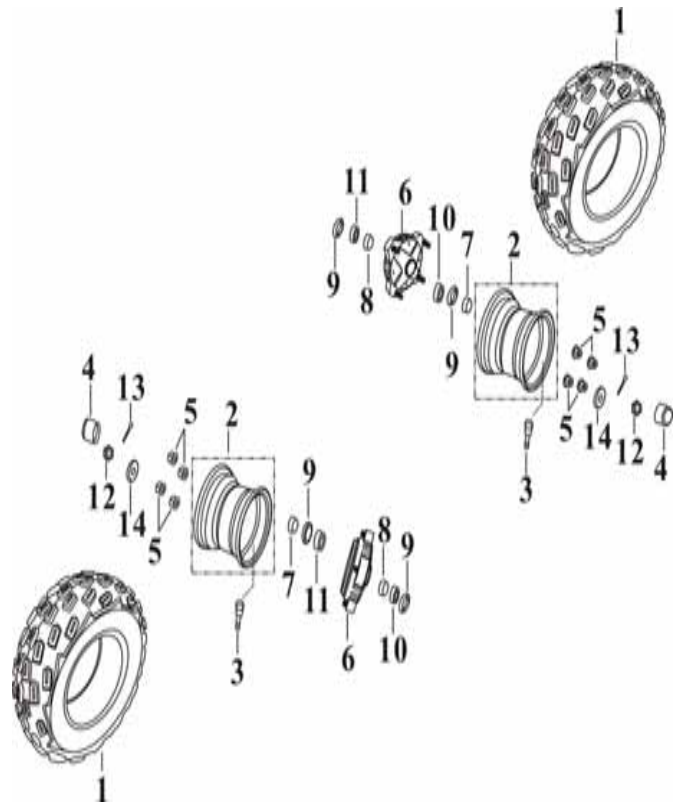
ITEM	UNISON NO.	PARTS NO.	DESCRIPTION	QTY
1	19000004	A4A-76111-00-00	SEAT ASSY.	1
2	19000003	A4A-76162-00-00	BRACKET	1
3	19000007	93900-04012-04	TAPPING SCREW 4X12	2



F7

FRONT WHEEL

BW150



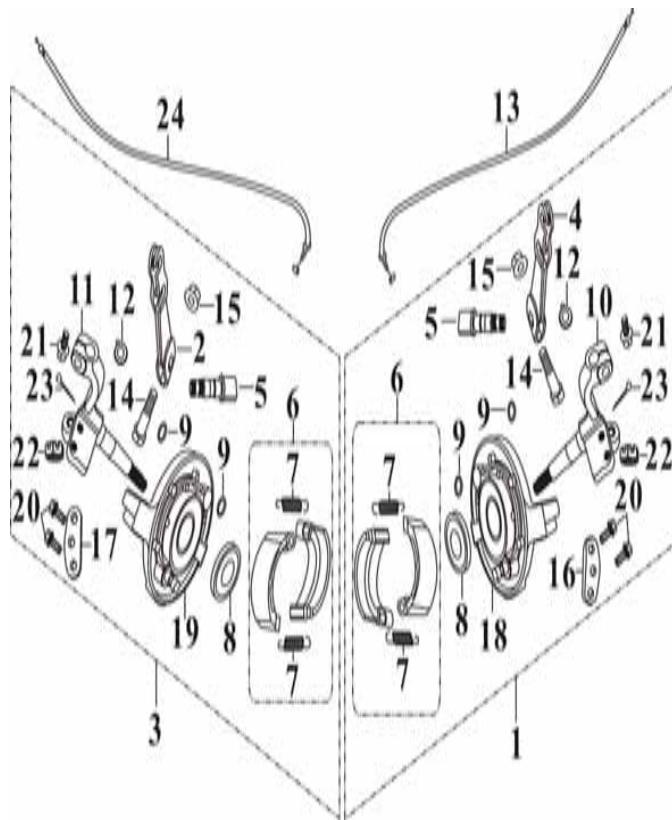
ITEM	UNISON NO.	PARTS NO.	DESCRIPTION	QTY
1	20021501	A4A-53311-00-00	TIRE 21X7-10	2
2	20021502	A4A-53210-00-00	WHEEL COMP.10X5.5	2
3	20000006	A1A-53322-00-00	RIM VALVE	2
4	20000008	A1A-53268-00-00	RUBBER CAP	2
5	20000013	A4A-54267-00-00	CONE NUT 10MM	8
6	20011503	A4A-55442-00-00	FRONT BRAKE DRUM	2
7	21032515	A4A-55446-00-00	COLLAR	2
8	20032508	A4A-55456-00-00	COLLAR 23X16X8.5	2
9	20011504	91201-23035-70	OIL SEAL 23X35X7	2
10	20000009	96120-06004-20	BALL BEARING 6004 LU	2
11	20000010	96120-06003-20	BALLBEARING 6003 LU	2
12	20000011	A4A-54266-00-00	CASTLE NUT 14MM	2
13	20032513	94201-30430-03	SPLIT PIN 3.0X43	2
14	22000004	A1A-54256-00-00	WASHER	2



F8

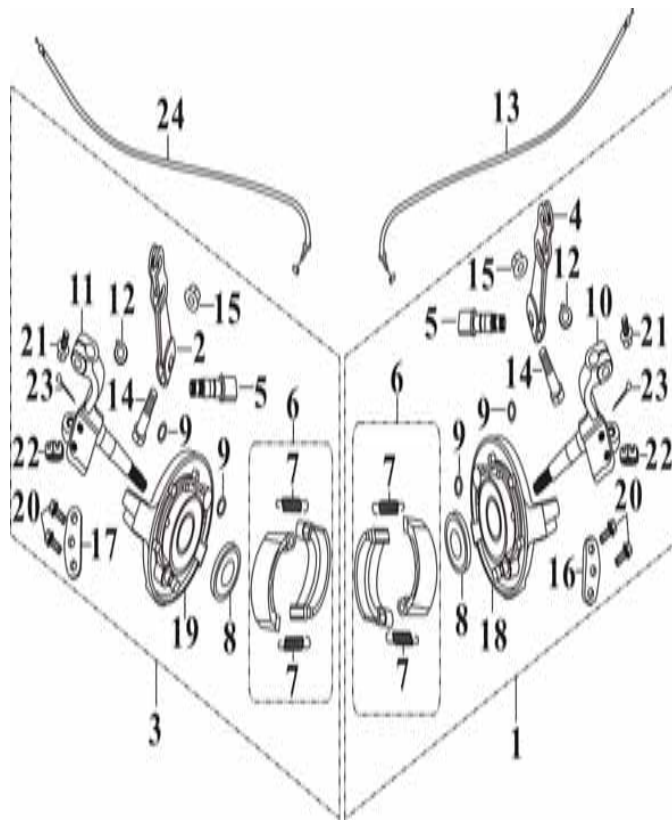
FRONT BRAKE

BW150



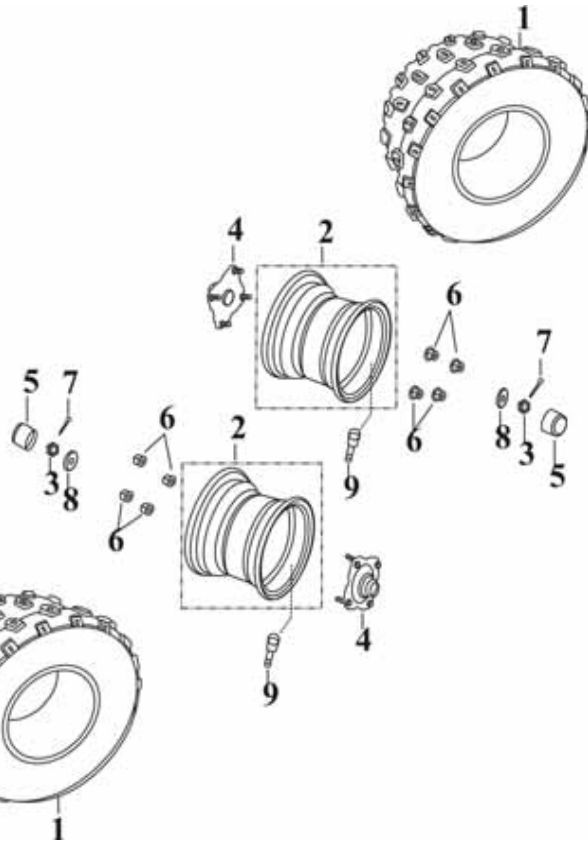
ITEM	UNISON NO.	PARTS NO.	DESCRIPTION	QTY
1	21011591	A4A-554440-00-00	FRONT BRAKE PANEL ASSY. L	1
2	21011504	A4A-55612-00-00	CAM SHAFT LEVER,2	1
3	21011592	A4A-55190-00-00	FRONT BRAKE PANAL ASSY.,R	1
4	21000027	A4A-55611-00-00	CAM SHAFT LEVER,1	1
5	21000014	A4A-55621-00-00	CAM SHAFT,1	2
6	21000015	A4A-55420-00-00	BRAKE SHOE KIT	2
7	21000022	A4A-55461-00-00	SPRING	4
8	21000016	91201-50062-70	OIL SEAL 50X6X2X7	2
9	21000017	91301-20120-00	O-RING 12X2.0	4
10	21000018	A4A-72144-00-00	KNUCKLE,1	1
11	21000019	A4A-72154-00-00	KNUCKLE,2	1
12	21000020	A4A-55631-00-00	INDICATOR PLATE	2
13	21021501	A4A-68111-00-00	BRAKE CABLE,1	1
14	21000021	92201-06030-04	HEX. BOLT 6X30	2
15	15000014	94051-06000-01	FLANGE U NUT 6MM	14
16	21000012	A4A-72185-00-00	STEERING BRKT,1	1
17	21000013	A4A-72195-00-00	STEERING BRKT,2	1



F8**FRONT BRAKE****BW150**

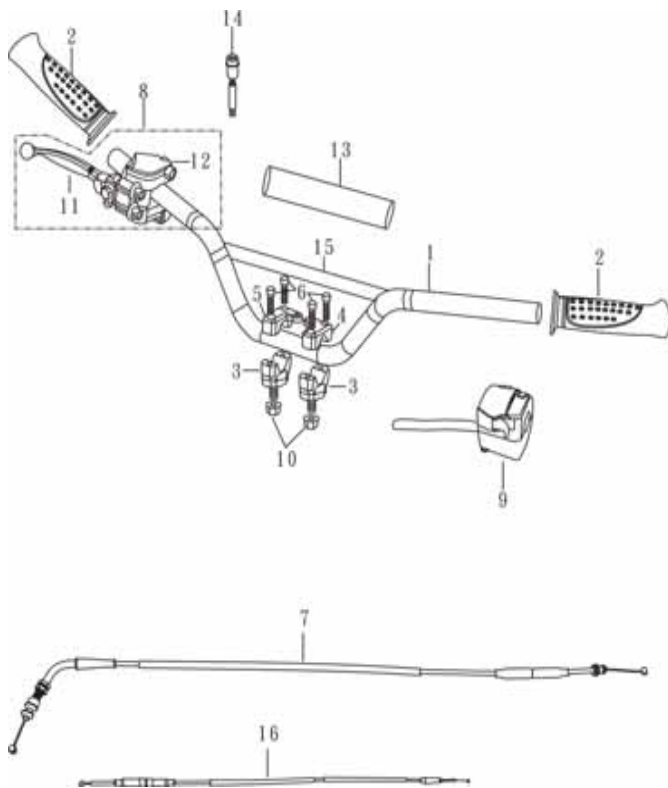
ITEM	UNISON NO.	PARTS NO.	DESCRIPTION	QTY
18	21000023	A4A-55441-00-00	FRONT BRAKE PANEL COMP,L	1
19	21000024	A4A-55451-00-00	FRONT BRAKE PANEL COMP,R	1
20	21000025	95807-10030-02	FLANGE BOLT 10X30	4
21	21000026	95800-10048-03	FLANGE BOLT 10X48	2
22	20000007	A1A-53266-00-00	CASTLE NUT 12MM	2
23	18000015	94201-22305-03	SPLIT PIN 2.2X30.5	4
24	21021502	A4A-68121-00-00	BRAKE CABLE,2	1



F9**REAR WHEEL****BW150**

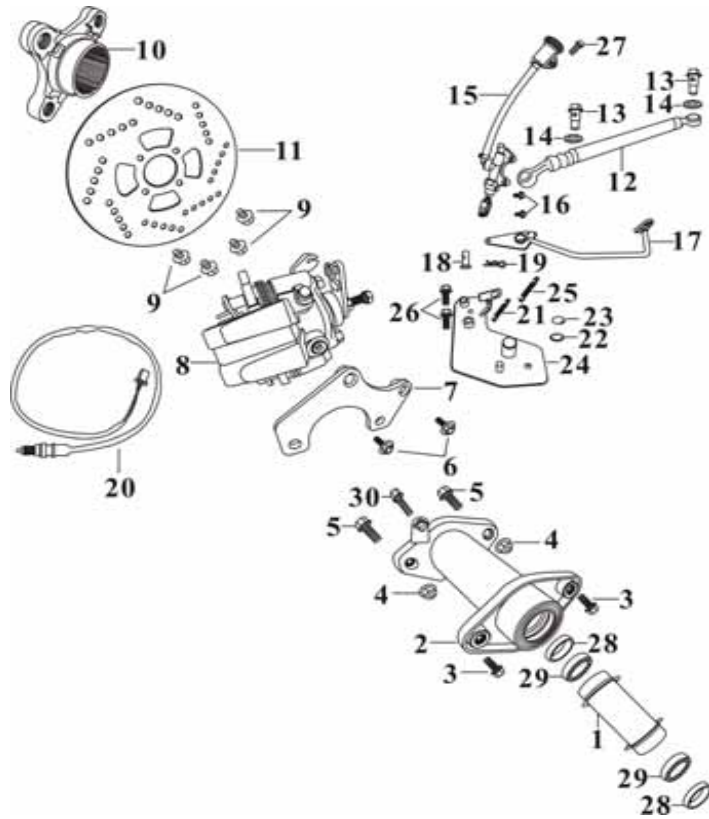
ITEM	UNISON NO.	PARTS NO.	DESCRIPTION	QTY
1	22021501	A4A-54311-00-00	TIRE 21X10-10	2
2	22021502	A4A-54210-00-00	WHEEL COMP. 10X48	2
3	20000011	A4A-54266-00-00	CASTLE NUT 14MM	2
4	22021504	A4A-54223-00-00	REAR WHEEL CONNECTOR	2
5	20000008	A1A-53268-00-00	RUBBER CAP	2
6	20000013	A4A-54267-00-00	CONE NUT 10MM	8
7	18000019	94201-30550-03	SPLIT PIN 3.0X55	2
8	22000004	A1A-54256-00-00	WASHER	2
9	20000006	A1A-53322-00-00	RIM VALVE	2



F10**HANDLE BAR****BW150**

ITEM	UNISON NO.	PARTS NO.	DESCRIPTION	QTY
1	23000028	A4A-72110-00-00	HANDLE COMP.	1
2	23000001	A1A-72251-00-01	GRIP	2
3	23000004	A1A-72222-00-00	HANDLE HOLDER ASSY.	2
4	23000005	A1A-72225-00-00	HANDLE HOLDER COVER,1	1
5	23000006	A1A-72235-00-00	HANDLE HOLDER COVER,2	1
6	23000003	96700-06025-02	SOCKET BOLT 6X25	4
7	23021502	A4A-68410-00-00	THROTTLE CABLE ASSY.	1
8	23000015	A2A-37850-00-00	LEVEL ASSY. RIGHT	1
9	23021503	A4A-37700-00-00	LEFT HANDLE SWITCH ASSY.	1
10	17000001	94061-10000-03	FLANGE U NUT 10MM	11
11	23000010	A1A-72263-00-00	RIGHT LEVER	1
12	23000016	A2A-37851-00-00	RIGHT BODY	1
13	23021504	A4A-81114-60-00	HANDLEBAR COVER	1
14	23021505	A4A-34690-00-00	FUEL LIGHT ASSY.	1
15	23021506	A4A-72116-00-00	HANDLE BAR ROD	1
16	23021507	A4A-68610-00-00	CHOKE CABLE ASSY.	1



F11**REAR DISK ASSY.****BW150**

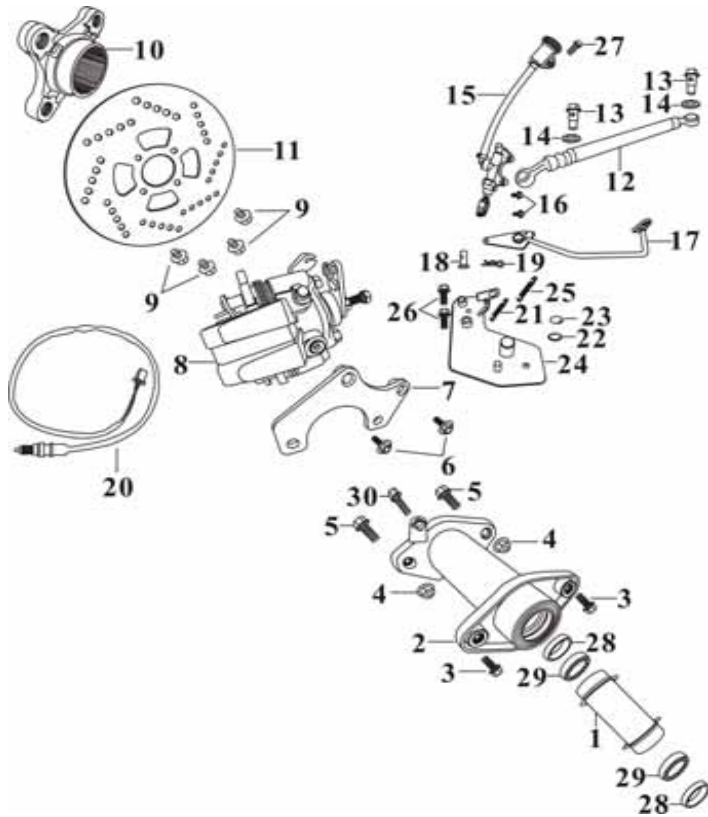
ITEM	UNISON NO.	PARTS NO.	DESCRIPTION	QTY
1	44000014	A5A-54522-00-00	SPACER TUBE	1
2	44021502	A5A-54521-00-10	REAR WHEEL AXLE SEAT	1
3	31000001	95800-12028-02	FLANGE BOLT (BLACK)	2
4	44000013	94060-12000-03	FLANGE NUT 12MM	2
5	45021505	92000-12050-02	HEX BOLT 12X50	2
6	44021503	95701-10025-02	FLANGE BOLT 10X25	2
7	44000015	A5A-56022-00-00	CALIPER STAY	1
8	45021508	A3D-56020-00-00	CALIPER ASSY.	1
9	44000016	A5A-56037-00-00	PAN HEAD SOCKET BOLT	4
10	44000017	A5A-56034-00-00	BRAKE DISC STAY	1
11	44000018	A5A-56033-00-00	BRAKE DISC	1
12	44021509	A5A-56053-00-00	BRAKE HOSE,2	1
13	44000024	A1A-56027-00-10	HOSE BOLT	8
14	31000014	94101-10143-50	PLATE WASHER	16
15	31000015	A3D-56050-00-00	MASTER CYLINDER,2	1
16	44000007	95800-08030-02	FLANGE BOLT 8X30	2
17	44000006	A7A-59610-00-10	BRAKE PEDAL COMP.	1



F11

REAR DISK ASSY.

BW150



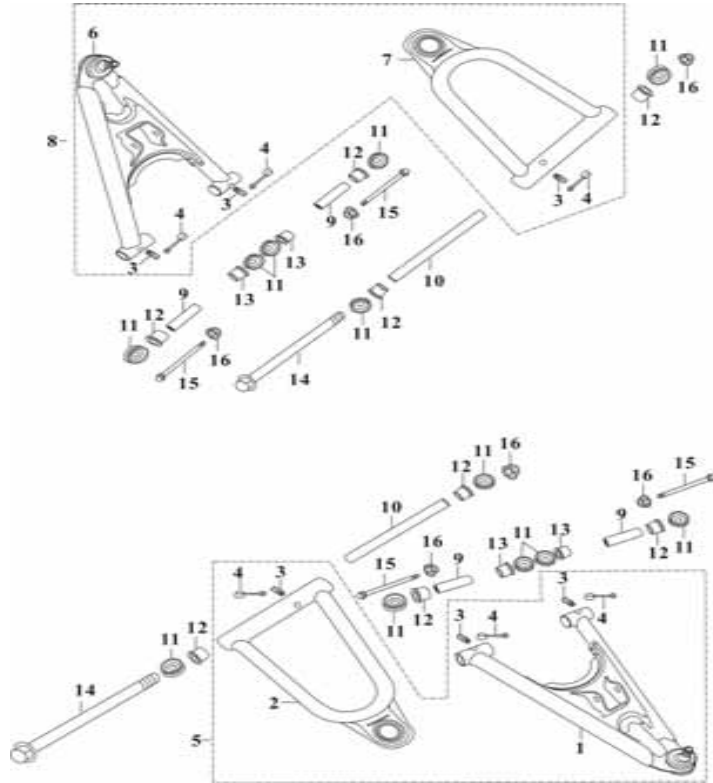
ITEM	UNISON NO.	PARTS NO.	DESCRIPTION	QTY
18	44045101	A9D-59675-00-00	PIN 1	1
19	44000005	94251-12221-00	SPLIT PIN 1.2X22	2
20	44000019	A3D-59670-00-00	STOP SWITCH ASSY.	1
21	31032521	A5A-59652-00-00	TENSION SPRING,1	1
22	44000009	A5A-59657-00-00	WASHER 19X25X2.0	1
23	04000011	94511-12190-00	CIR-CLIP 19MM	2
24	45021524	A5A-56035-00-00	MASTER CYLINDER BRKT	1
25	44000010	A5A-59653-00-10	TENSION SPRING,2	1
26	14000016	95800-08014-02	FLANGE BOLT 8X14	14
27	07000010	96001-06020-01	FLANGE BOLT 6X20	2
28	44000020	91201-42062-08	OIL SEAL 42X62X08	2
29	44000021	96120-06007-20	BALL BEARING 6007Z	2
30	14000016	95800-08014-02	FLANGE BOLT 8X14	14



F12

SWING ARM / FOOTREST/ FEND BAR

BW150



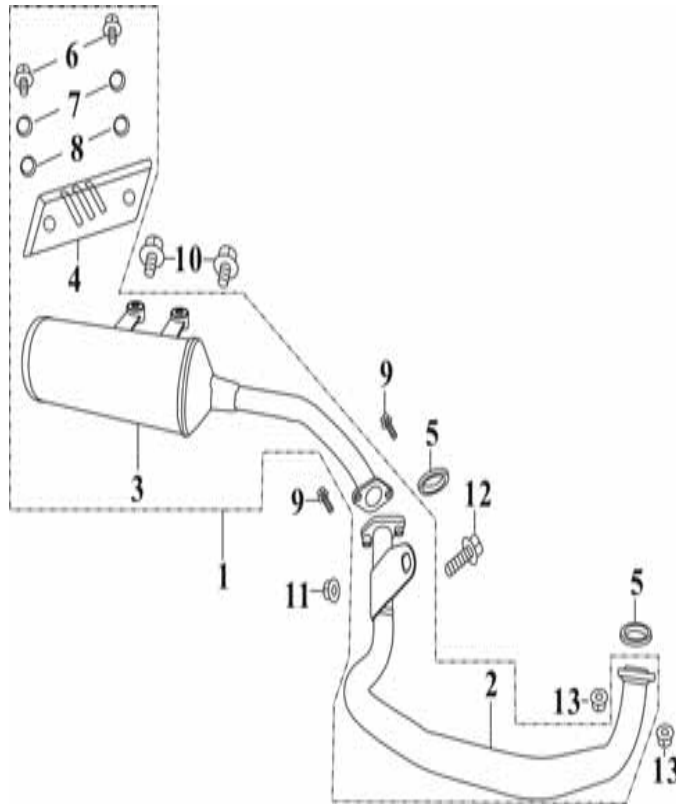
ITEM	UNISON NO.	PARTS NO.	DESCRIPTION	QTY
1	25011501	A4A-57411-00-00	LOWER A-ARM, LEFT	1
2	25000013	A4A-57412-00-00	UPPER A-ARM, LEFT	1
3	25000011	A1A-57367-00-00	GREASE VALVE	6
4	25032504	A4A-57368-00-00	GREASE VALVE CAP	6
5	25000014	A4A-57410-00-00	LEFT A-ARM ASSY.	1
6	25000015	A4A-57421-00-00	LOWER A-ARM, RIGHT	1
7	25000016	A4A-57422-00-00	UPPER A-ARM, RIGHT	1
8	25000017	A4A-57420-00-00	LOWER A-ARM ASSY.	1
9	25000012	A4A-57427-00-00	DISTANCE COLLAR,1	4
10	25000018	A4A-57428-00-00	DISTANCE COLLAR, 2	2
11	25000019	A4A-57419-00-00	DUST SEAL COVER	12
12	25000020	A4A-57447-00-00	BUSH,1	8
13	25000021	A4A-57448-00-00	BUSH,2	4
14	14000034	A4A-53511-00-00	FLANGE BOLT 10X198	2
15	14000036	95800-10040-03	FLANGE BOLT 10X40	2
16	17000001	94061-10000-03	FLANGE U NUT 10MM	11



F13

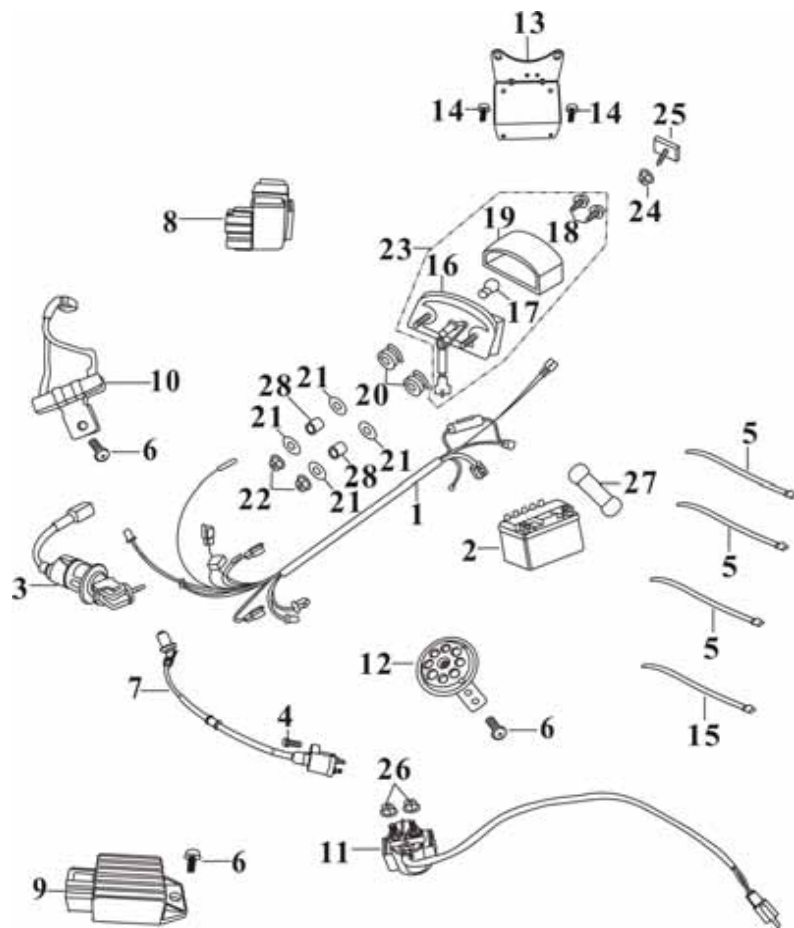
MUFFLER ASSY.

BW150



ITEM	UNISON NO.	PARTS NO.	DESCRIPTION	QTY
1	26021591	A4A-28200-00-00	EXHAUST PIPE ASSY.	1
2	26021592	A4A-28220-00-00	FR. PIPE COMP.	1
3	26021503	A4A-28230-00-00	RR. PIPE COMP.	1
4	26000004	A1A-28112-00-00	MUFFLER PROTECTOR,2	1
5	26000012	A4A-28131-00-00	EXHAUST PIPE GASKET (26.2*33.1*3.7)	2
6	26000005	96000-06012-70	FLANGE BOLT 6X12	2
7	26000006	94101-06083-70	PLATE WASHER 6MM	2
8	26010508	94101-06084-90	PLATE WASHER 6MM	2
9	26000013	95800-06025-02	FLANGE BOLT 6X25	4
10	26000014	95802-08032-02	FLANGE BOLT 8X32	2
11	14000020	94051-08000-03	FLANGE NUT 8MM	6
12	26000015	95800-08050-03	FLANGE BOLT 8X50	2
13	14000035	94050-08000-03	FLANGE U NUT 8MM	4



F14**ELECTRICAL PARTS****BW150**

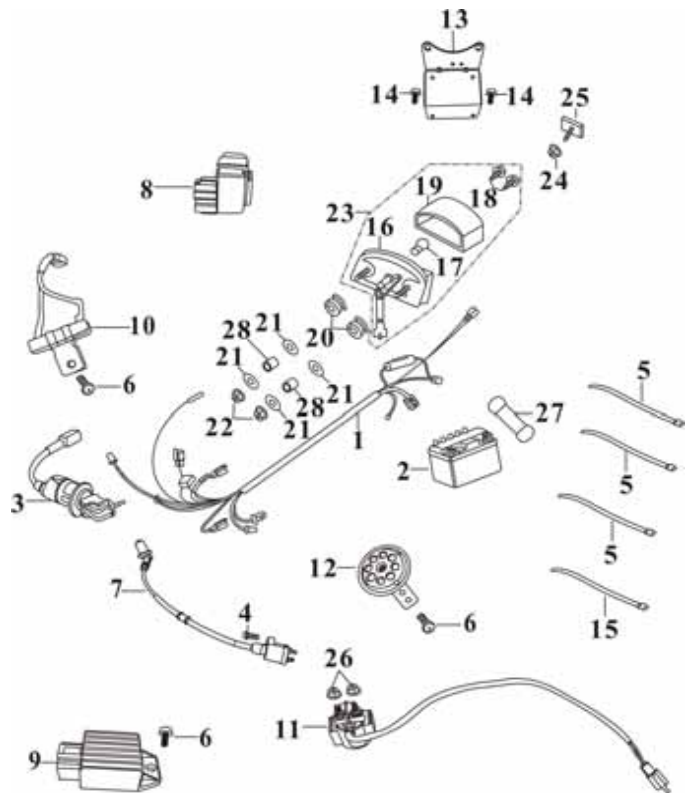
ITEM	UNISON NO.	PARTS NO.	DESCRIPTION	QTY
1	27021591	A4A-33610-00-10	WIRE HARNESS ASSY.	1
2	27021502	A4A-33410-00-00	BATTERY ASSY.	1
3	27000034	A4A-66210-00-00	MAIN SWITCH ASSY.	1
4	27000029	93500-05022-02	PAN HEAD SCREW 5X22	1
5	27000039	94402-02502-01	BAND 250	10
6	27021506	93500-06012-04	PAN HEAD SCREW 6X12	3
7	27000030	M4A-33140-00-00	IGNITION OIL ASSY.	1
8	27000031	M4A-33110-00-00	C.D.I.ASSY.	1
9	27000032	M4A-31310-00-00	REG. REC. COMP.	1
10	27000007	A1A-38410-00-00	RESISTOR COMP.	1
11	27000045	M4A-38310-00-00	STARTER RELAY ASSY.	1
12	27000010	A1A-38210-00-00	HORN	1
13	27000022	A4A-35437-00-10	TAIL LIGHT BRACKET	1
14	14000016	95800-08014-02	FLANGE BOLT 8X14	14
15	27000002	94404-03001-01	BAND 300MM	1
16	27000011	A1A-35411-00-00	TAIL LIGHT BASE	1
17	27000035	A1A-35451-00-00	BULB 12V-21/5W	1



F14

ELECTRICAL PARTS

BW150



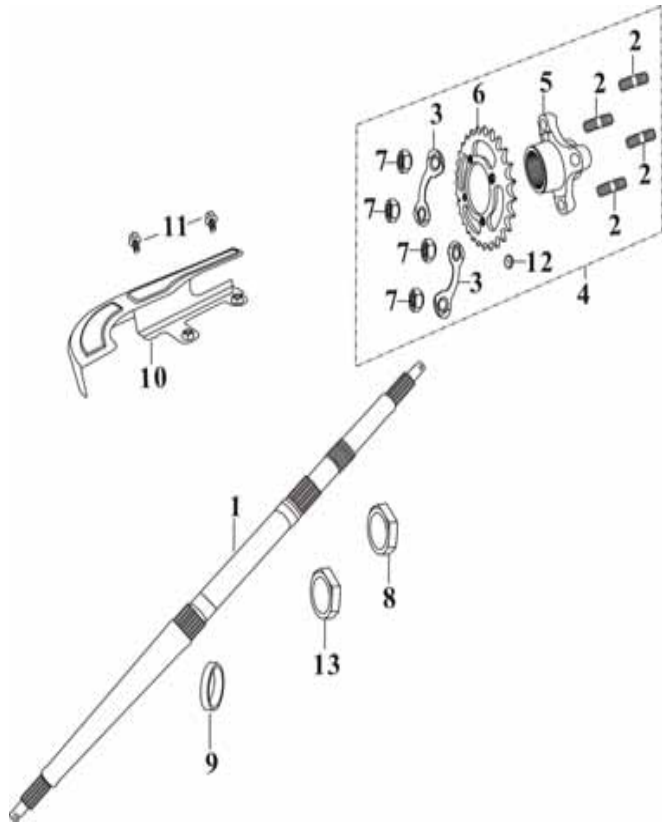
ITEM	UNISON NO.	PARTS NO.	DESCRIPTION	QTY
18	27000012	93910-04038-03	TAPPING SCREW 4X38	2
19	27000013	A1A-35412-00-00	TAIL LIGHT LENS	1
20	14000044	A1A-52158-00-00	DAMPER,3	7
21	09000002	94101-06193-00	PLATE WASHER 6MM	4
22	15000014	94051-06000-01	FLANGE U NUT 6MM	14
23	27000094	A1A-35400-00-00	TAIL LIGHT ASSY.	1
24	27000016	94050-05000-01	FLANGE NUT 5MM	1
25	27000015	A1A-35427-00-00	RR. REFLECTOR (E MARK)	2
26	04000008	94001-06000-04	FLANGE NUT 6MM	2
27	27000023	A4A-33437-00-10	BAND HOLDER	1
28	27000021	M5A-16567-00-10	COLLER	3



F15

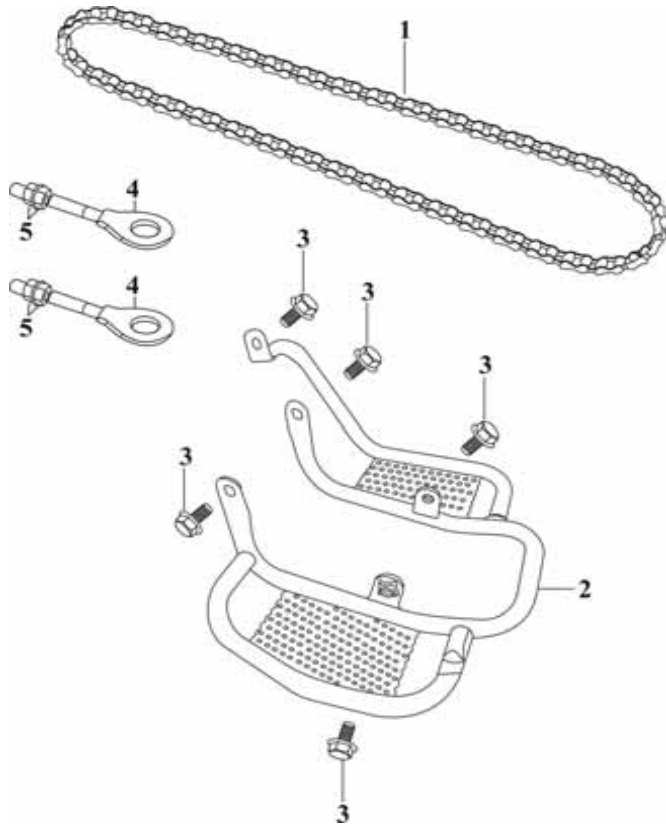
REAR WHEEL AXLE

BW150



ITEM	UNISON NO.	PARTS NO.	DESCRIPTION	QTY
1	28000021	A5A-54511-00-10	REAR WHEEL AXLE	1
2	28000008	A4A-26957-00-00	STUD BOLT 10MM	4
3	28000009	A4A-26958-00-00	TOUNGED WASHER	2
4	02000007	A4A-26950-00-00	SPROCKET ASSY.	1
5	28000010	A4A-26955-00-00	SPROCKET HOLDER	1
6	28000011	A4A-26930-00-00	SPROCKET	1
7	29000011	94001-08000-03	HEX. NUT 8MM	6
8	28000016	A4A-54524-00-10	HEX NUT M33	2
9	28000019	A5A-54523-00-00	COLLAR	1
10	28000020	A4A-26942-00-00	CHAIN CASE,2	1
11	29000003	95800-08012-02	FLANGE BOLT 8X12	3
12	28021506	A4A-34128-00-00	SENSOR,1	1
13	28000016	A4A-54524-00-10	HEX NUT M33	2



F16**CHAIN****BW150**

ITEM	UNISON NO.	PARTS NO.	DESCRIPTION	QTY
1	29021501	A4A-26960-00-00	DRIVE CHAIN 520X84	1
2	29021502	A4A-56443-00-00	PROTECTOR COVER	1
3	14000019	95800-08016-02	FLANGE BOLT 8X16	8
4	29000012	A4A-56471-00-00	CHAIN ADJUSTER	2
5	29000011	94001-08000-03	HEX. NUT 8MM	6

