

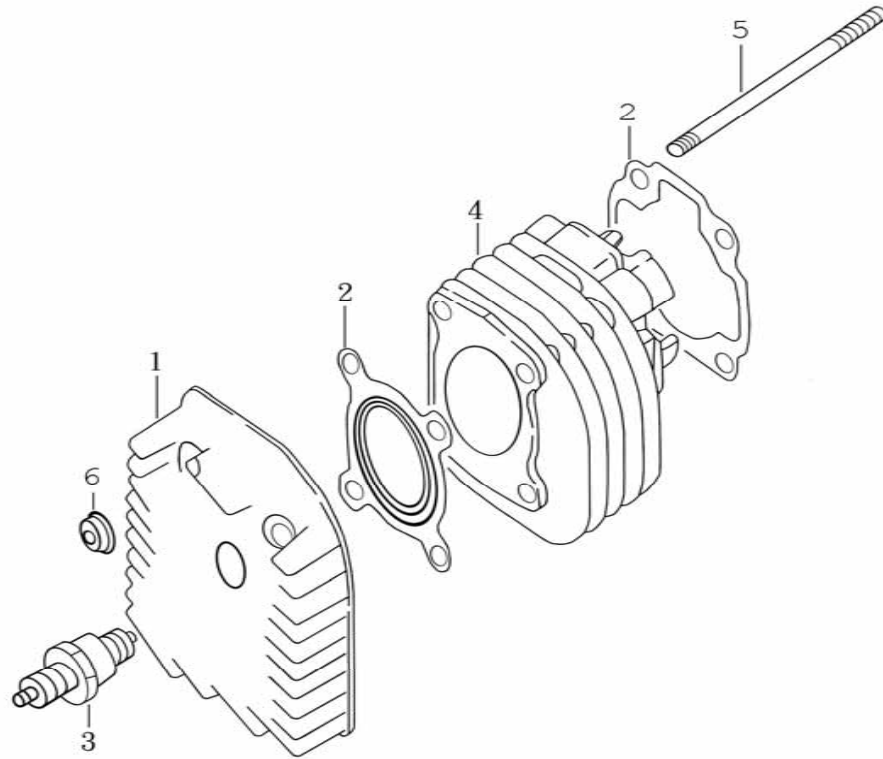


**UNISON**

ILLUSTRATED PARTS LIST

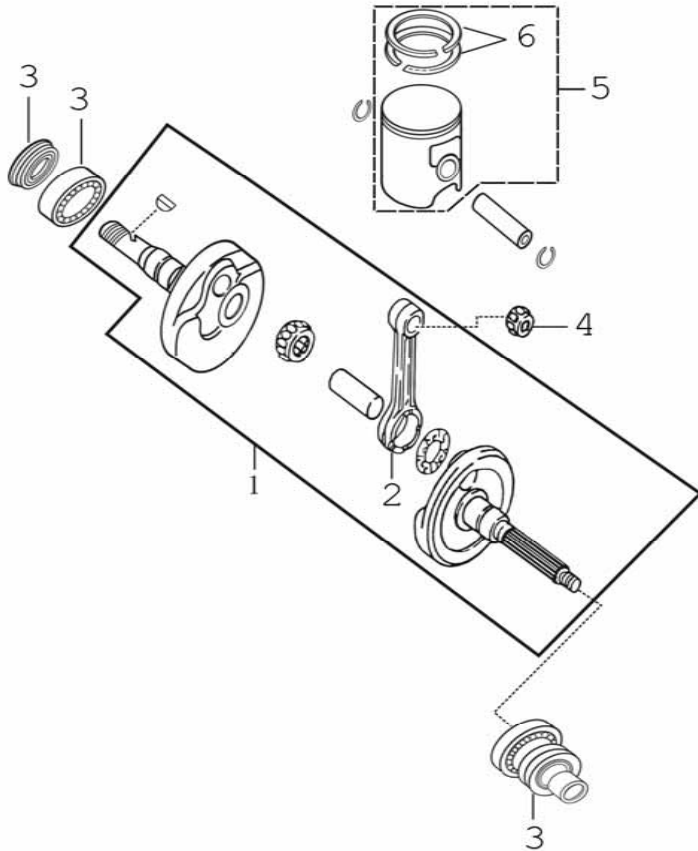
MODELS 2004 AND UP (VER.A)

DESERT CAT 50/90

**M1****CYLINDER****90CC**

ITEM	UNISON NO.	PARTS NO.	DESCRIPTION	QTY
1	01010901	M2A-12511-00-00	CYLINDER HEAD FOR 90	1
2	01010991	M2A-18111-00-00 M2A-18216-00-00	GASKET SET FOR 90	1
3	01000004	M1A-33111-00-00	SPARK PLUG BR8HSA (NJK) (MINI , 50 &90)	1
4	01010904	M2A-12400-00-00	CYLINDER FOR 90	1
5	01000006	M1A-12422-00-00	STUD BOLT 7X124 (MINI , 50 &90 )	2
6	01000007	94050-07000-04	FLANGE NUT 7MM	2



**M2****PISTON CRANKSHAFT****90CC**

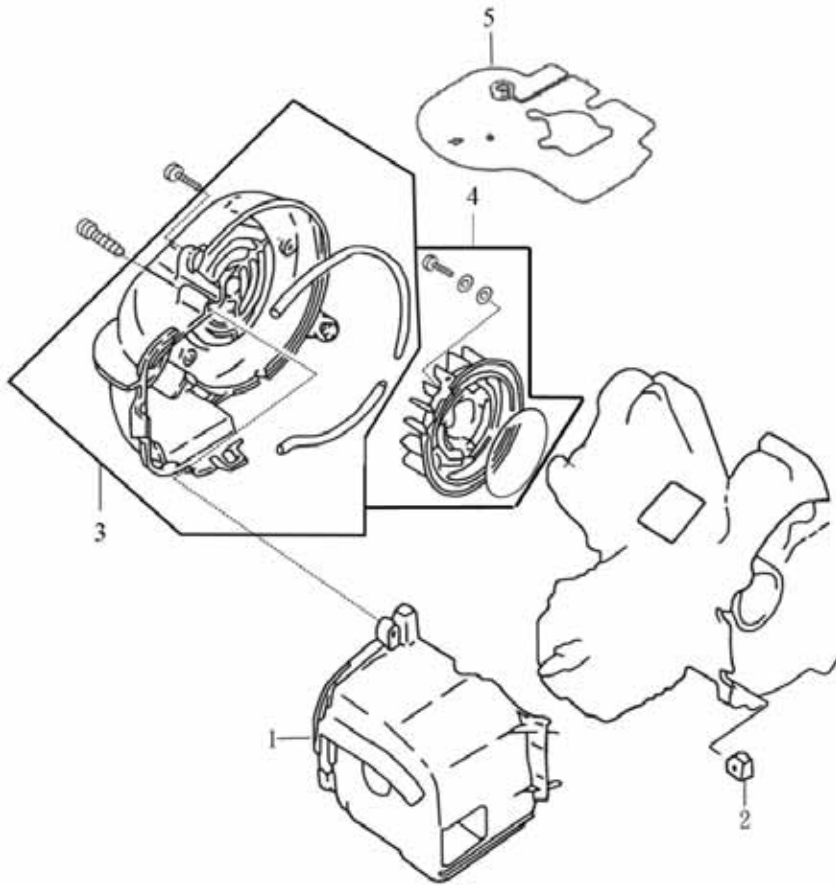
ITEM	UNISON NO.	PARTS NO.	DESCRIPTION	QTY
1	02010991	M2A-14100-00-00	CRANK SHAFT COMP.	1
2	02010901	M2A-14114-00-00	CONNECTING ROD	1
3	02000092	96129-06204-00 91238-20042-80 M1A-11113-00-00 M1A-14153-00-00	CRANK BEARINGS & SEAL (MINI , 50 & 90)	1
4	02010902	M2A-14116-00-00	PISTON BEARING 10X14X13	1
5	02010903	M2A-12600-00-00	COMPLETE PISTON	1
6	02010904	M2A-12620-00-00	PISTON RING SET	1



M3

# FAN AIR SHROUD

90CC



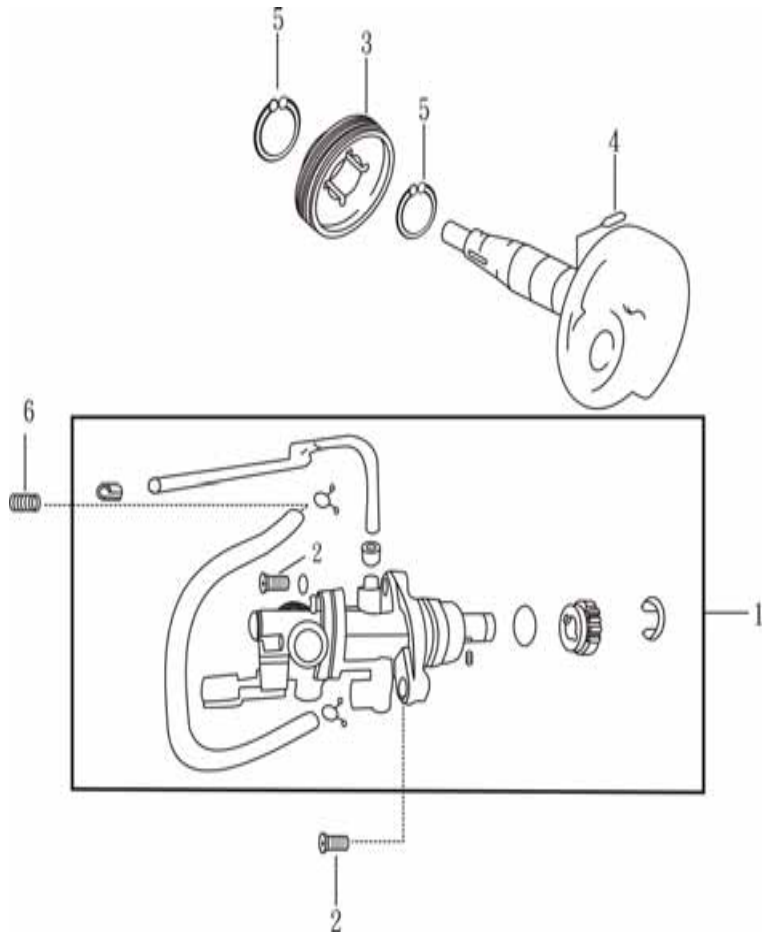
ITEM	UNISON NO.	PARTS NO.	DESCRIPTION	QTY
1	03010991	M2A-17140-00-00	SHROUD COMP.	1
2	03000001	M1A-17143-00-00	SHROUD GROOMET (MINI , 50 & 90)	1
3	03000092	M1A-17110-00-00	FAN COVER ASSY. (MINI , 50 & 90)	1
4	03000093	M2A-17161-00-00 91305-31644-00 93500-06016-03 94111-06103-00 94101-06113-50	FAN ASSY. (MINI & 50 & 90)	1
5	03000007	M1A-17151-00-00	DEFLECTOR (MINI , 50 & 90)	1



M4

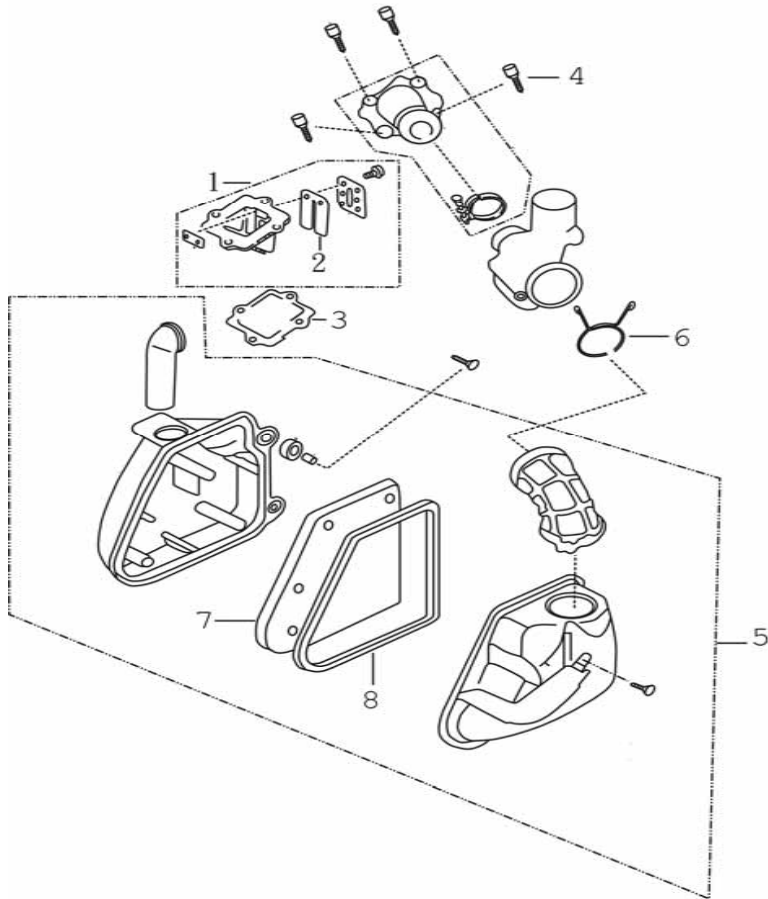
# OIL PUMP

90CC



ITEM	UNISON NO.	PARTS NO.	DESCRIPTION	QTY
1	04010991	M2A-15100-00-00	OIL PUMP ASSY.	1
2	04000001	93500-05014-03	PAN HEAD SCREW 5X14 (MINI ,50 &90)	2
3	04000002	M1A-15211-00-00	OIL PUMP DRIVEN GEAR (MINI ,50 & 90)	1
4	04000003	94302-03117-00	DOWEL PIN 3X11.7 (MINI , 50 &90)	1
5	04000011	94511-12190-00	CIR-CLIP 19MM	2
6	04000004	M1A-15139-00-00	OIL TUBE SPRING (MINI , 50 &90)	1



**M5****INTAKE****90CC**

ITEM	UNISON NO.	PARTS NO.	DESCRIPTION	QTY
1	05010991	M2A-19240-00-00 M2A-19241-00-00 M2A-19246-00-00 93892-03008-01 M1A-19243-00-00	INTAKE VALVE ASSY.	1
2	05010904	M2A-19241-00-00	REED VALVE	1
3	05000007	M1A-18251-00-00	VALVE SET GASKET (MINI , 50 & 90)	1
4	05000008	96700-06020-02	SOCKET BOLT 6X20 (MINI , 50 & 90)	4
5	05000092	A1A-19110-00-00	AIR CLEANER ASSY. (MINI , 50 & 90)	1
6	05000009	94201-23425-00	CLIP 42.5 MM (MINI, 50 & 90)	1
7	05000010	A1A-19114-00-00	AIR CLEANER ELEMENT (MINI , 50 & 90)	1
8	05000011	A1A-19115-00-00	SEAL,1 (MINI , 50& 90)	1

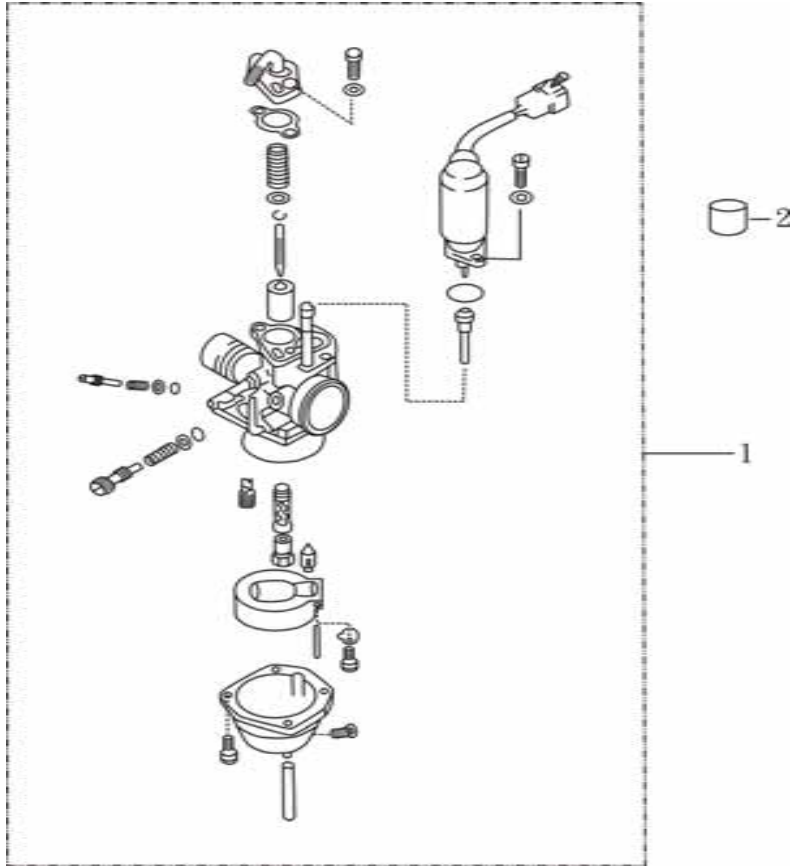


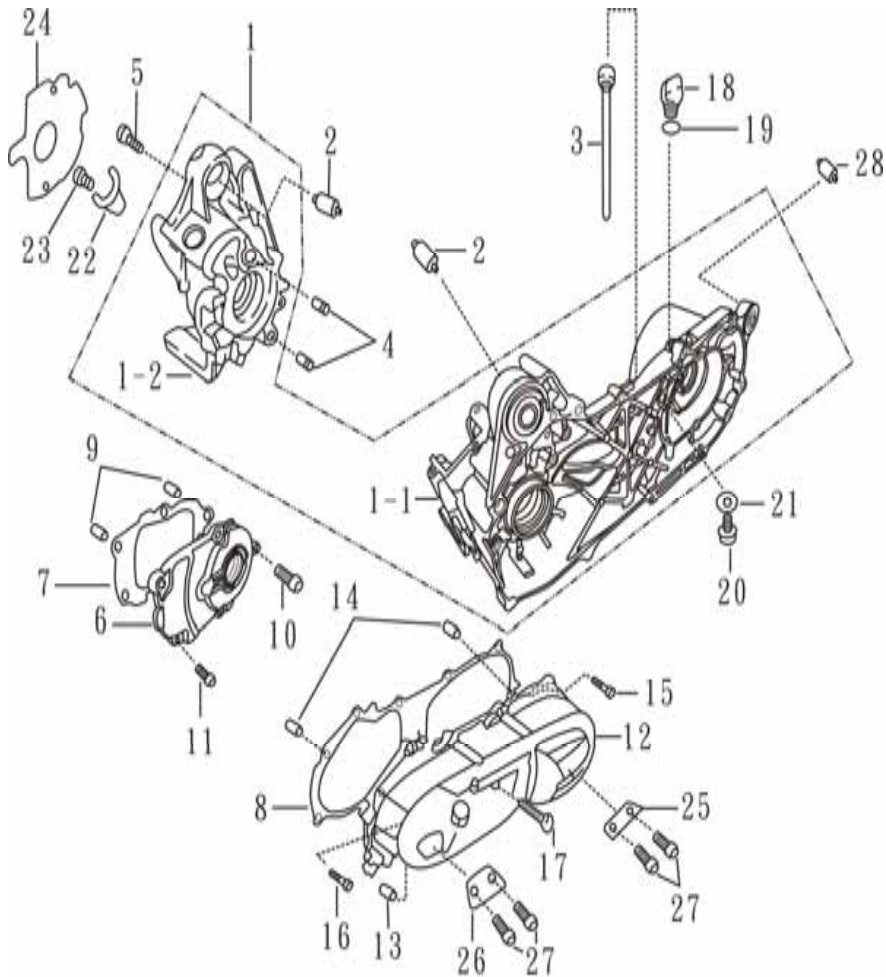
M6

# CARBURETOR

90CC

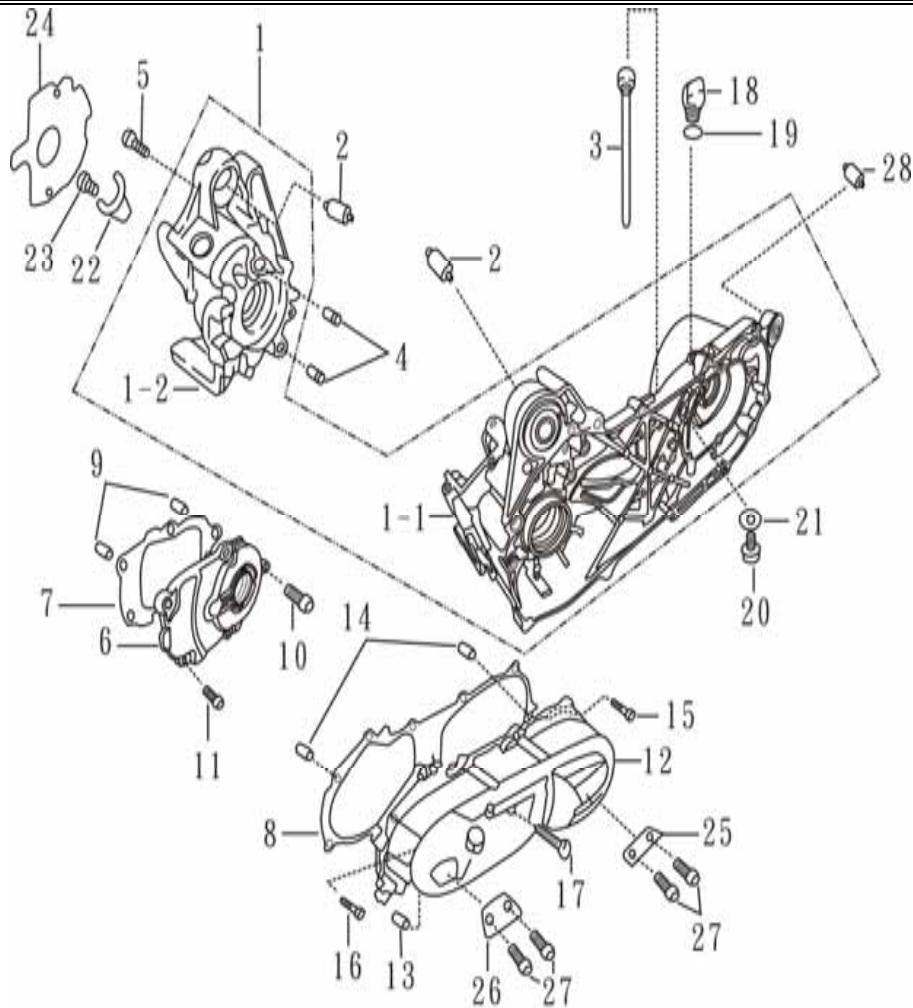
ITEM	UNISON NO.	PARTS NO.	DESCRIPTION	QTY
1	06010991	M2A-19400-00-00	CARBURETOR ASSY.	1
2	06010901	M2A-19489-00-00	RUBBER	1



**M7****CRANK CASE****90CC**

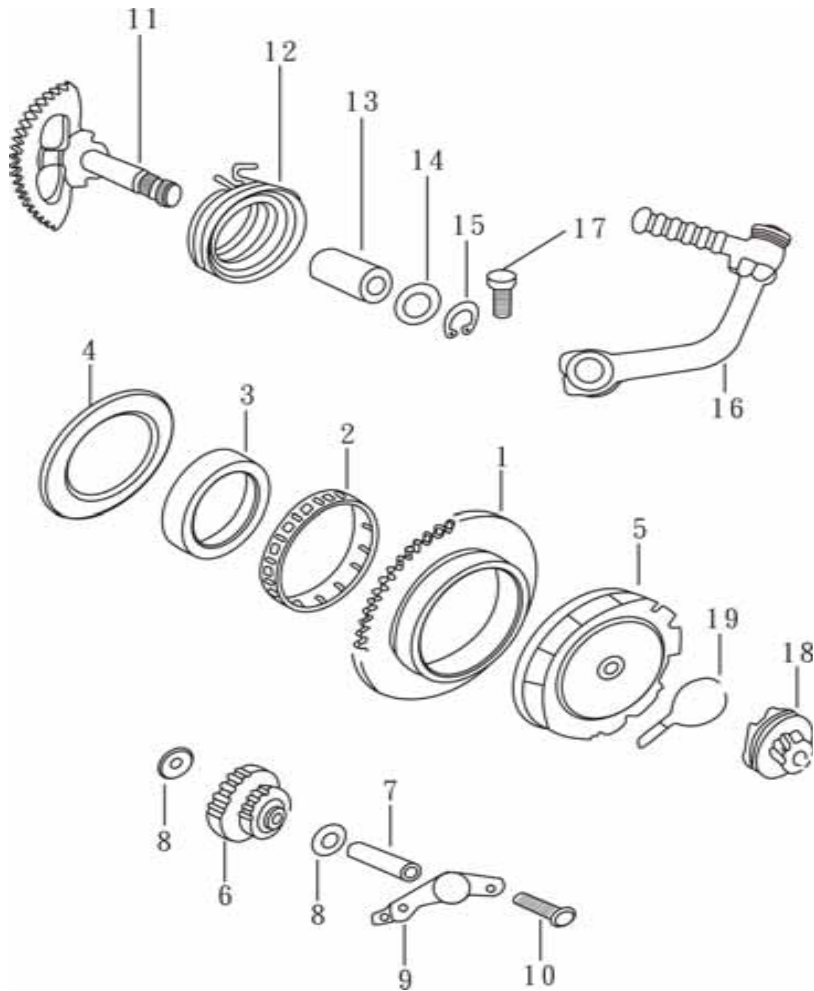
ITEM	UNISON NO.	PARTS NO.	DESCRIPTION	QTY
1	07010991	M2A-11000-00-00	R/L CRANK CASE ASSY.	1
1-1	07010901	M2A-11201-00-00	L. CRANK CASE	1
1-2	07010902	M2A-11101-00-00	R. CRANK CASE	1
2	07000004	M1A-11231-00-00	BREATHER JOINT (MINI ,50 & 90)	1
3	7010103	M1A-11231-00-00	BREATHER JOINT (MINI ,50 & 90)	1
4	07000005	94301-12160-00	DOWEL PIN 12X16 (MINI , 50 &90)	2
5	07000027	93500-06035-03	PAN HEAD SCREW 6X35 (MINI ,50 &90)	1
6	07000006	M1A-11351-00-00	MISSION COVER (MINI , 50& 90)	1
7	07000007	M1A-18244-00-00	MISSION COVER GASKET (MINI, 50 & 90)	1
8	07000008	M1A-18241-00-00	L. COVER GASKET(MINI ,50 & 90)	1
9	07000013	94301-10140-00	DOWEL PIN 10X14	4
10	07000009	96001-06035-02	FLANGE BOLT 6X35	2
11	07000010	96001-06020-01	FLANGE BOLT 6X20	2
12	07000011	M1A-11301-00-60	L. COVER COMP.(MINI ,50 & 90)	1
13	07000012	M1A-27221-00-00	START. IDLE. GEAR SHAFT(MINI , 50 &90)	1



**M7****CRANK CASE****90CC**

ITEM	UNISON NO.	PARTS NO.	DESCRIPTION	QTY
14	07000013	94301-10140-00	DOWEL PIN 10X14	4
15	07000009	96001-06035-02	FLANGE BOLT 6X35	2
16	07000014	96000-06025-02	FLANGE BOLT 6X25	1
17	07000015	96001-06065-02	FLANGE BOLT 6X65	2
18	07000016	M1A-11251-00-00	OIL PLUG (MINI , 50 & 90)	1
19	07000017	91305-24138-00	O-RING 13.8X2.4 (MINI , 50& 90)	1
20	07000018	95800-08012-03	SPECIAL BOLT 8X12	2
21	07000019	94101-08143-50	PLATE WASHER 8MM (MINI , 50& 90)	1
22	07000020	M1A-11161-00-00	OIL SEAL HOLDER (MINI , 50 & 90)	1
23	07000021	93500-06012-03	PAN HEAD SCREW 6X12 (MINI , 50& 90)	3
24	07000022	M1A-18256-00-00	A.C.G GASKET (MINI , 50 & 90)	1
25	07000023	M1A-11328-00-00	REAR BREATHER CAP. (MINI , 50&90)	1
26	07000024	M1A-11327-00-00	FRONT BREATHER RUB. BUSH(MINI, 50 &90)	1
27	07000025	93500-05010-02	PAN HEAD SCREW 5X10	4
28	07000030	M1A-11223-00-00	ENG. HANGER RUB. BUSH	3



**M8****STARTER****90CC**

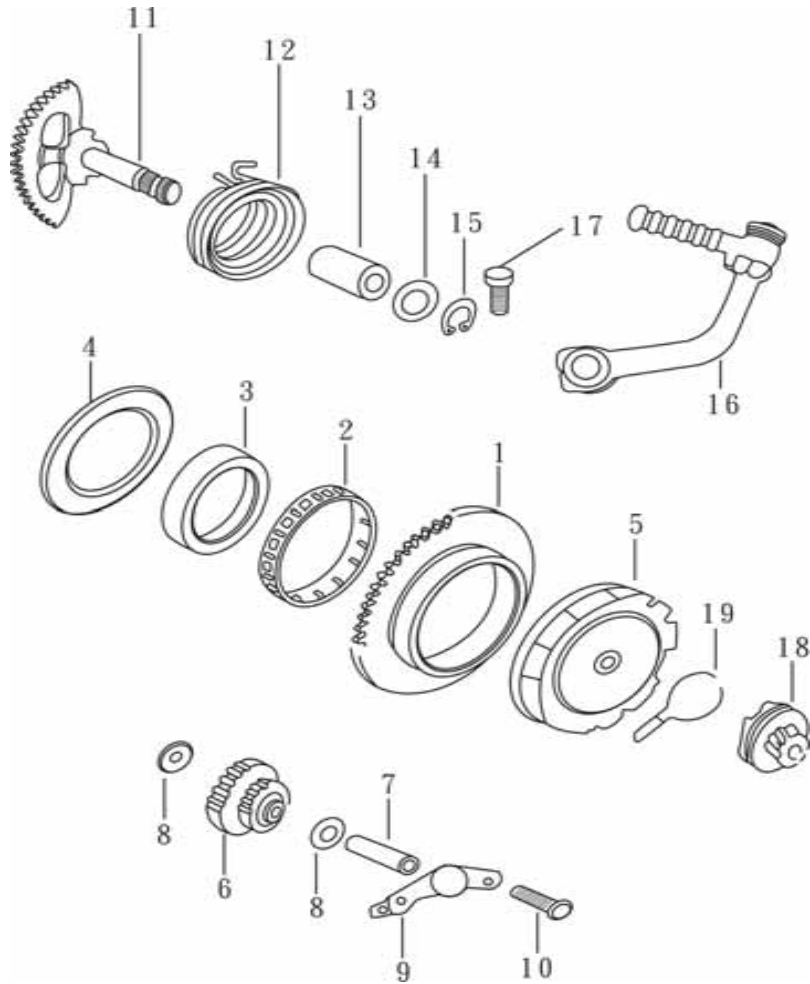
ITEM	UNISON NO.	PARTS NO.	DESCRIPTION	QTY
1	08010991	M2A-32511-00-00	STARTER CLUTCH GEAR COMP.	1
2	08000001	M1A-32423-00-00	NEEDLE BEARING (MINI ,50 & 90 )	1
3	08000002	M1A-32521-00-00	GEAR BOSS (MINI ,50 & 90)	1
4	08000003	M1A-32434-00-00	PLAIN WASHER 55X75X0.5 (MINI , 50 & 90)	1
5	08010901	M2A-32410-00-00	STARTER CLUTCH OUTER	1
6	08010902	M2A-32310-00-00	STARTER IDLE GEAR COMP.	1
7	08000006	M1A-32321-00-00	STARTER GEAR SHAFT (MINI , 50 & 90)	1
8	08000007	94101-08165-24	PLATE WASHER 8MM (MINI ,50 & 90)	2
9	08000008	M1A-32341-00-00	STARTER IDLE GEAR PLATE (MINI ,50 & 90)	1
10	07000021	93500-06012-03	PAN HEAD SCREW 6X12 (MINI , 50& 90)	3
11	08000010	M1A-27131-00-00	KICK START. SPINDLE COMP .(MINI , 50&90)	1
12	08000011	M1A-27141-00-00	KICK STARTER SPRING (MINI, 50& 90)	1
13	08000012	M1A-27172-00-00	KICK SPINDLE BUSH (MINI , 50 & 90)	1
14	08000013	94101-15283-24	PLATE WASHER 15.2X28X1 (MINI ,50 & 90)	1
15	08000014	94511-10150-00	CIR-CLIP 15MM (MINI , 50 & 90)	1



M8

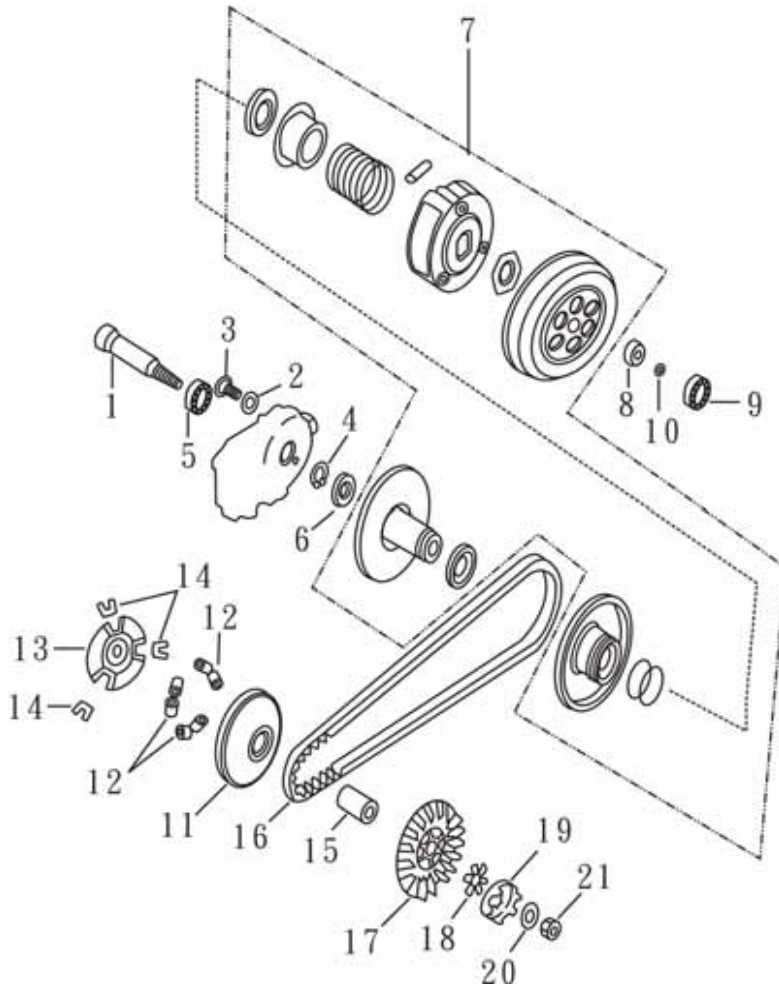
# STARTER

90CC



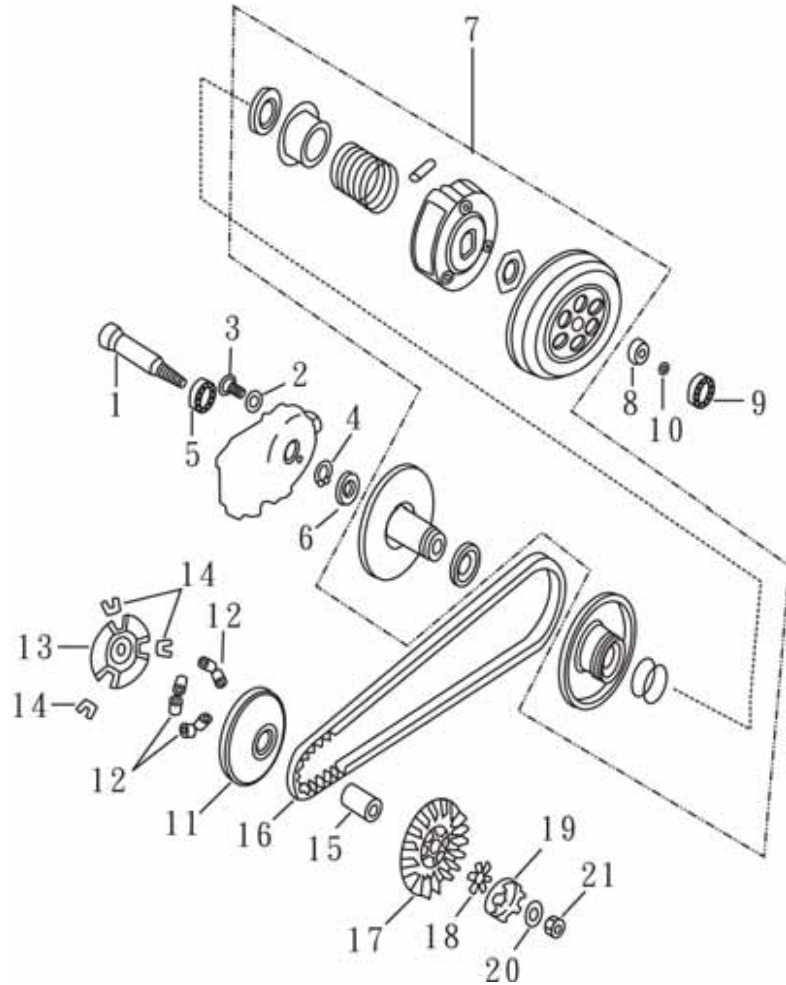
ITEM	UNISON NO.	PARTS NO.	DESCRIPTION	QTY
16	08000015	M1A-27111-00-00	KICK STARTER ARM	1
17	08000016	92000-06025-01	HEX. BOLT 6X25 (MINI , 50 & 90)	1
18	08000017	M1A-27211-00-00	START IDLE GEAR COMP.	1
19	08000018	M1A-27224-00-00	START GEAR FRICTION SPRING	1



**M9****CLUTCH****90CC**

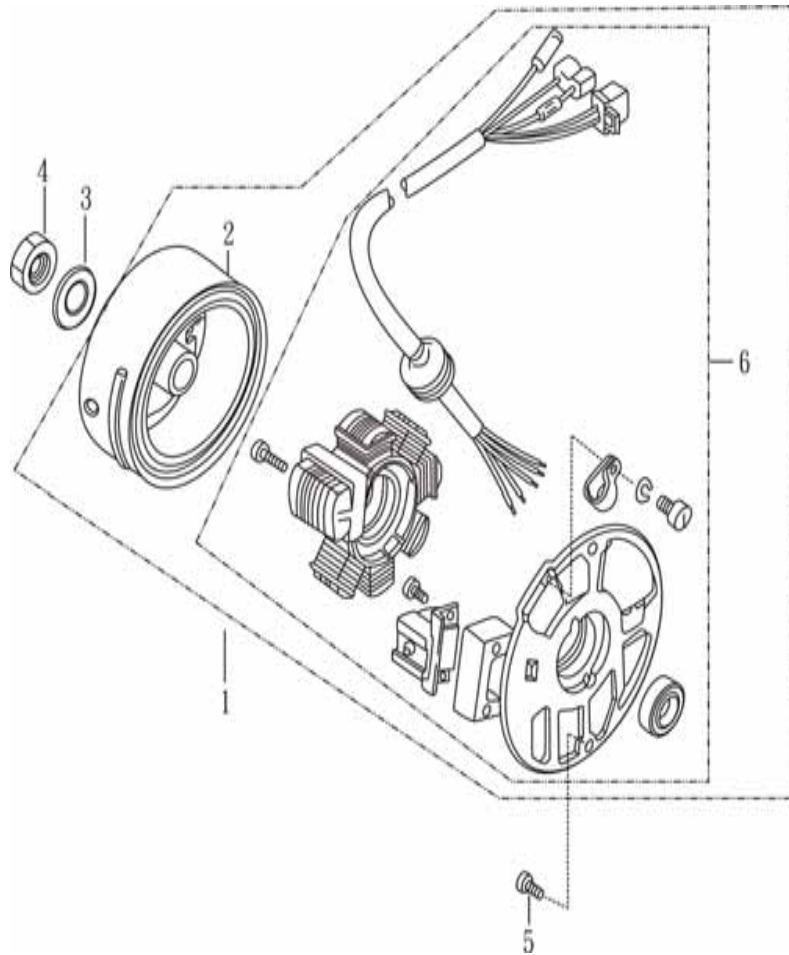
ITEM	UNISON NO.	PARTS NO.	DESCRIPTION	QTY
1	09010901	M2A-25111-00-00	DRIVE SHAFT	1
2	09000002	94101-06193-00	PLATE WASHER 6MM	4
3	09000003	93500-06010-03	PAN HEAD SCREW 6X10 (MINI , 50 &90)	1
4	09000004	94511-10170-00	CIR-CLIP 17MM (MINI, 50&90)	1
5	09000005	96129-06003-00	BALL BEARING 6003C14 (MINI, 50 & 90)	1
6	09000006	91235-17028-55	OIL SEAL 17X28X5.5 (MINI , 50 & 90)	1
7	09010991	M2A-22400-00-00	DRIVEN PULLEY ASSY.	1
8	09000007	94011-10000-04	FLANGE NUT 10MM (MINI , 50 & 90)	1
9	09000008	96120-00638-20	BALL BEARING 638Z (MINI , 50& 90)	1
10	09000009	91305-31065-00	O-RING 6.45X3.1 (MINI, 50 &90)	1
11	09010902	M2A-22110-00-00	MOVABLE DRIVE FACE ASSY.	1
12	09010903	M2A-22121-00-00	WEIGHT ROLLER COMP.	6
13	09010904	M2A-22123-00-00	RAMP PLATE	1
14	09000013	M1A-22124-00-00	SLIDE PIECE (MINI ,50 &90)	3
15	09010905	M2A-22133-00-00	DRIVE FACE BOSS	1



**M9****CLUTCH****90CC**

ITEM	UNISON NO.	PARTS NO.	DESCRIPTION	QTY
16	09010906	M2A-22211-00-00	DRIVE BELT	1
17	09010907	M2A-22131-00-00	DRIVE FACE	1
18	09010908	M2A-22136-00-00	CLAW WASHER	1
19	09010909	M2A-27261-00-00	KICK RATCHET	1
20	09000018	94102-10246-00	SPRING WASHER 10M (MINI , 50 & 90)	1
21	09000019	94001-10000-04	HEX. NUT 10MM (MINI ,50 & 90)	1



**M10****GENERATOR****90CC**

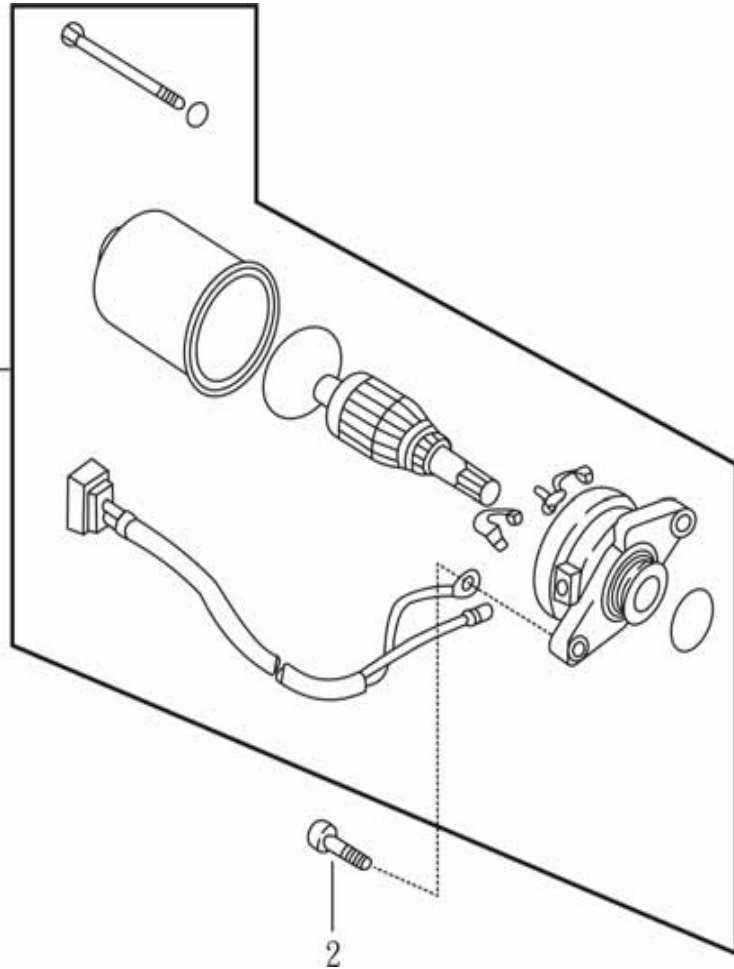
ITEM	UNISON NO.	PARTS NO.	DESCRIPTION	QTY
1	10000091	M1A-31100-00-00	A.C.G. ASSY. (MINI , 50 & 90)	1
2	10000001	M1A-31110-00-00	A.C.G. FLYWHEEL COMP.(MINI, 50 & 90)	1
3	10000002	94101-10185-27	PLATE WASHER 10MM	2
4	09000019	94001-10000-04	HEX. NUT 10MM (MINI, 50 & 90)	1
5	10000004	93500-06016-03	PAN HEAD SCREW 6X16 (MINI, 50 & 90)	1
6	10000092	M1A-31120-00-00	A.C.G.BASE ASSY. (MINI, 50 & 90)	1



**M11**

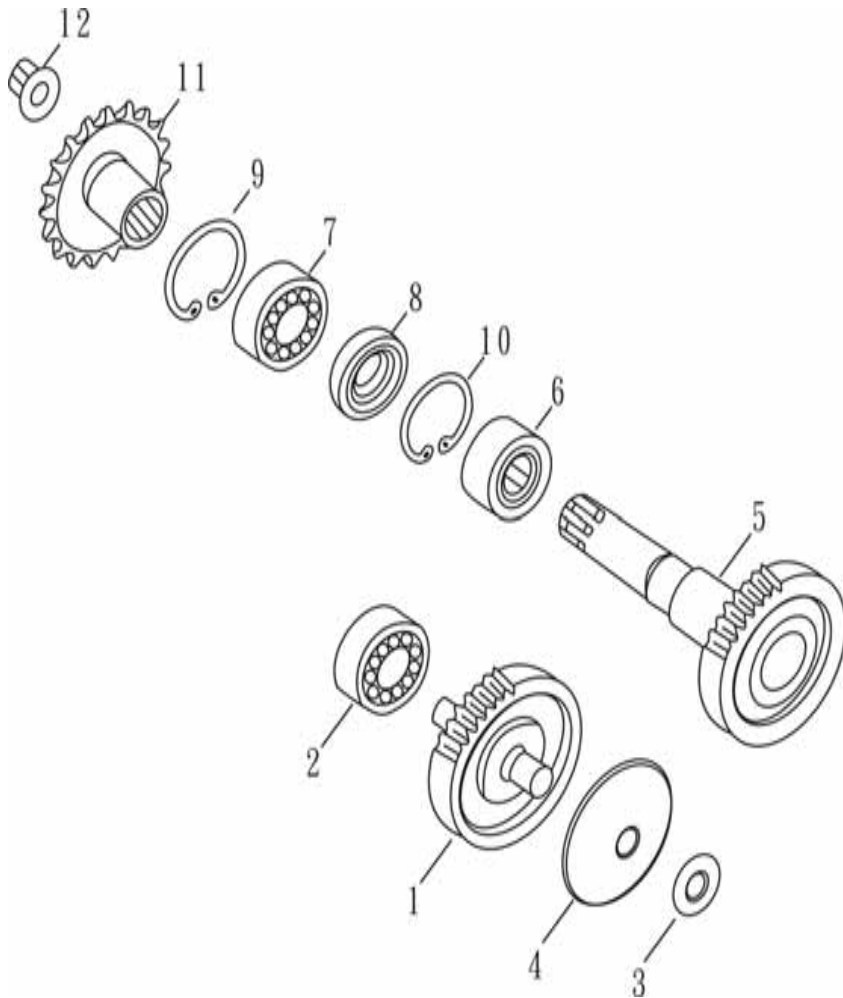
**STARTER MOTOR**

**90CC**



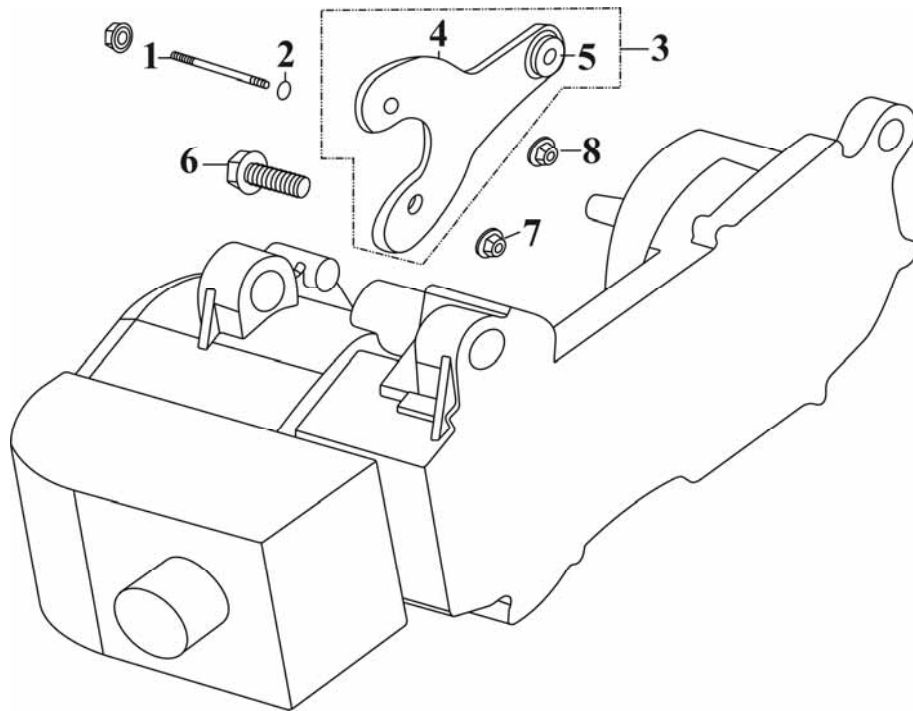
ITEM	UNISON NO.	PARTS NO.	DESCRIPTION	QTY
1	11010991	M2A-32200-00-00	STARTER MOTOR ASSY.	1
2	05000008	96700-06020-02	SOCKET BOLT 6X20 (MINI , 50 & 90)	4



**M12****TRANSMISSION****90CC**

ITEM	UNISON NO.	PARTS NO.	DESCRIPTION	QTY
1	12010901	M2A-26110-00-00	COUNTER SHAFT COMP.	1
2	12010102	96123-06201-00	BALL BEARING 6201C3 (MINI,50 & 90)	1
3	12000002	94101-12223-00	PLATE WASHER 12MM (MINI ,50 & 90)	1
4	12000003	M1A-26121-00-00	CONICAL SPRING WASHER (MINI ,50 & 90)	1
5	12000009	M2A-26170-00-00	FINAL SHAFT COMP.	1
6	12000004	96130-02516-00	NEEDLE BEARING NK 25/16 (MINI, 50 & 90)	1
7	12000005	96120-06004-40	BALL BEARING 6004LLUA/L10 (MINI ,50 & 90)	1
8	12000006	91201-25035-60	OIL SEAL 25X35X6 (MINI, 50 & 90)	1
9	12000007	94521-18420-00	CIR-CLIP 42MM (MINI, 50 & 90)	1
10	12000008	M1A-11132-00-00	CIR-CLIP 28MM	1
11	12000010	M1A-26911-00-01	DRIVE SPROCKET 19T( 50 & 90)	1
12	12000001	94061-14000-01	FLANGE U NUT 14MM	2



**M13****ENGINE BRACKET****90CC**

ITEM	UNISON NO.	PARTS NO.	DESCRIPTION	QTY
1	13000001	M1A-11272-00-00	STUD BOLT (MINI , 50 &90)	1
2	13000002	91305-19068-00	O-RING 6.8X1.9	1
3	13000003	M1A-11270-00-00	ENGINE BRACKET ASSY.(MINI , 50 & 90)	1
4	13000004	M1A-11271-00-00	ENGINE BRACKET (MINI, 50 &90)	1
5	07000030	M1A-11223-00-00	ENG. HANGER RUB. BUSH	3
6	13000006	95800-12040-02	FLANGE BOLT 12X40 (MINI ,50 &90)	1
7	14000012	94061-12000-03	FLANGE U NUT 12MM	2
8	13000008	94051-08000-02	FLANGE NUT 8MM (MINI , 50 &90)	1

